

200Watt DALI 2 & Push Dimmable LED Driver



SELV IP66



Features:

- Constant voltage/ PWM Output (NFC regulation)
- DALI & Push dimming function (0-100%)
- AC input: 100-277VAC
- Built-in active PFC function
- Efficiency up to 91%
- Protections: Short circuit/ Over load/ Over temperature
- Cooling by free air convection
- IP66 design for indoor and outdoor installation.
- Suitable for intelligent LED lighting

Models

RND 500-00053

Output Specifications

Output Voltage	24V (24-26V adjust by NFC)
Voltage Tolerance	± 0.2%
Output Current	8.34A
Rated Power	200W
Load Regulation	± 2%

Input Specifications

Input Voltage	100-277VAC
Frequency Range	47-63Hz
Inrush Current	59A (Twidth=210µs 230VAC)
Full Load Efficiency (Typ.)	86.4%
AC Current (Max.)	2.3
Leakage Current	<0.50mA
Power Factor	PF≥0.98@120VAC PF≥0.96@230VAC PF≥0.95@277VAC (Full loading)

Protection

Short Circuit	Constant current mode, recovers automatically after fault condition is removed
Over Loading	≤120% constant current limiting, recovers automatically after fault condition is removed
Over Temperature	100°C± 10°C
Protection Class	I

Environment

Working Temperature	-40~+70°C (Refer to derating curve)
Working Humidity	20-95% RH, non-condensing

Art. Nr.302-94-963

RND 500-00053

200Watt DALI 2 & Push Dimmable LED Driver



Storage Temperature, Humidity	-40~+80°C, 10-95% RH
Temperature Coefficient	±0.03%/°C (0-50°C)
Vibration	10-500Hz, 5G 10min./ 1 cycle, period for 60min.each along X, Y, Z axes

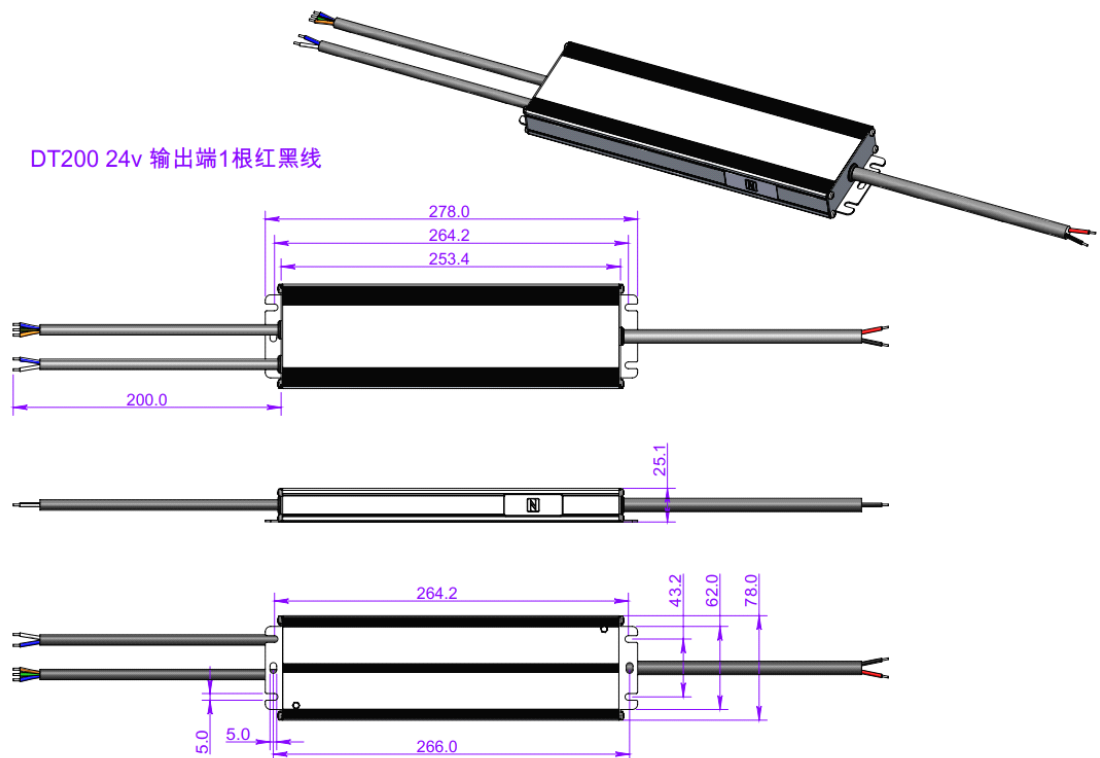
Safety & EMC

Safety standards	EN61347-1, EN61347-2-13, EN62493, IP66
Withstand voltage	I/P-O/P:3.75KVAC I/P-FG:1.88KVAC O/P-FG:0.5KVAC
Isolation resistance	I/P-O/P I/P-FG O/P-FG: 100MΩ/500VDC/25°C/70%RH
EMC Emission	Compliance to EN55015, EN61000-3-2, EN61000-3-3 (≥60% load)
EMC Immunity	Compliance to EN61000-4-2,3,4,5,6,11, EN61547

Other Specifications

Weight	1.05 Kg
Size	278x 78 x 25.1 mm
Packing	390 x 325x 185 mm (20PCS/CTN, 22 Kg/CTN))

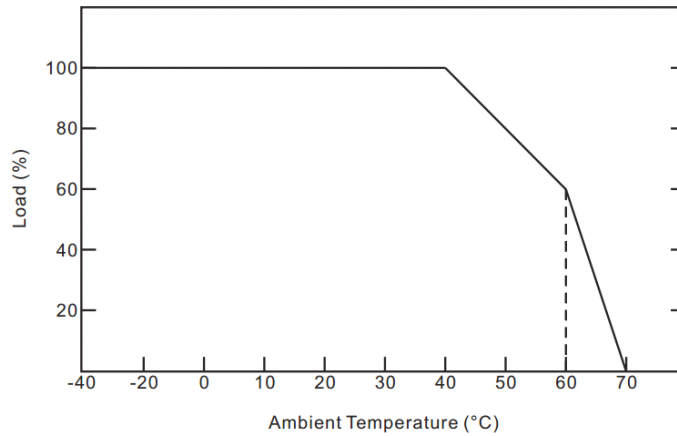
Mechanical Specifications



Art. Nr.302-94-963

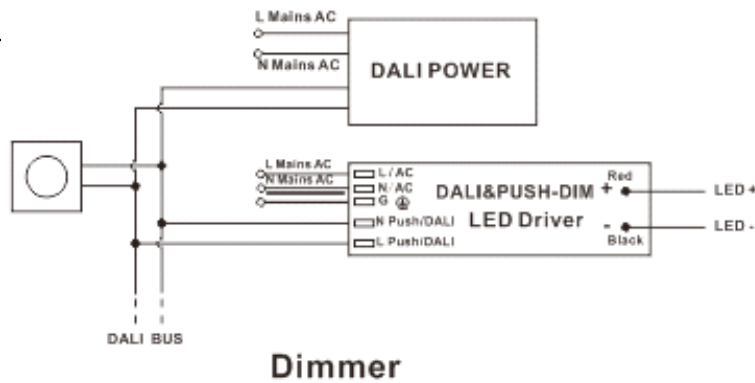
RND 500-00053

Derating Curve

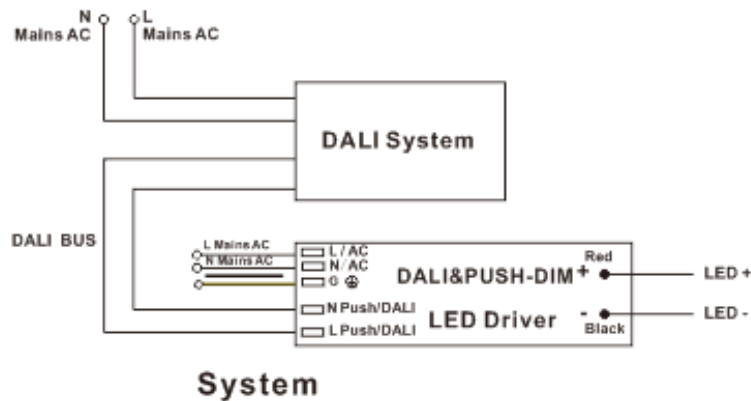


Dimming Operation

DALI Dimming Wiring Diagram1

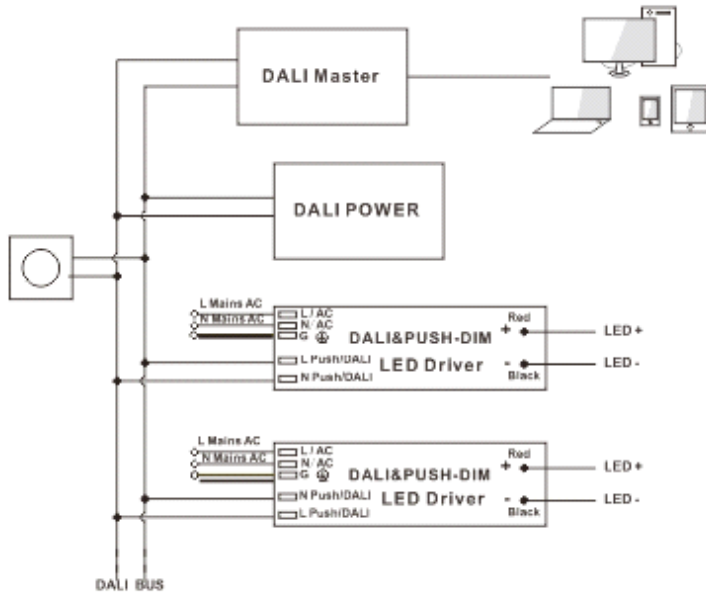


DALI Dimming Wiring Diagram2



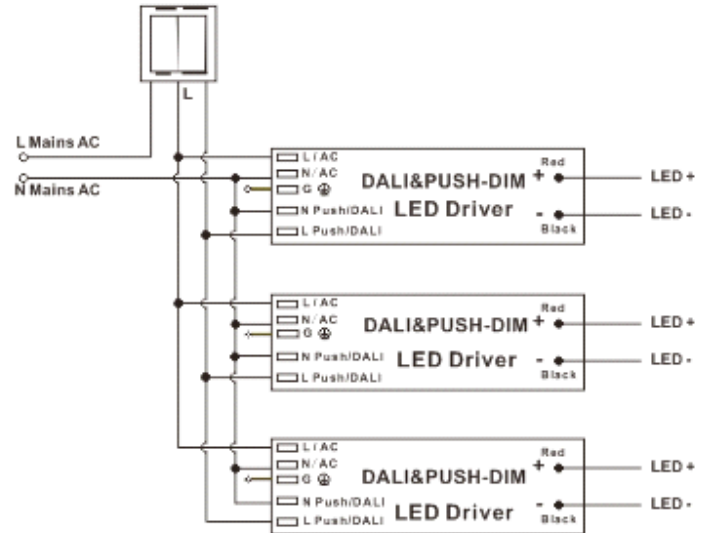
Dimming Operation

DALI Dimming Wiring Diagram 3



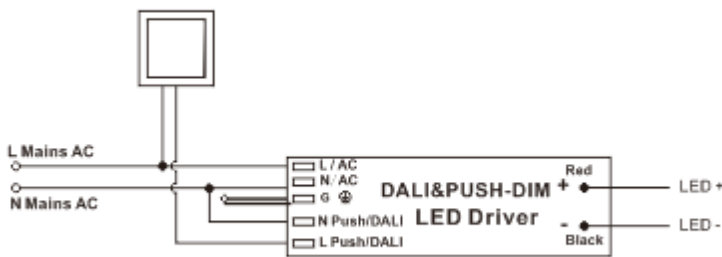
PC+DALI Master+DIMMER

Push-Dimming Wiring Diagram 1



Dimmer (with ON/OFF function)

Push-Dimming Wiring Diagram 2



Dimmer

※Note: For DALI Dimming Wiring Diagram 3, please noted that only one DALI power is need in the DALI bus, so no extra DALI power is needed if the Master or Dimmer already includes the DALI Power.