

360Watt DALI & Push Dimmable LED Driver



Features:

- Constant voltage/ PWM Output
- DALI & Push dimming function
- AC input: 100-265VAC
- Built-in active PFC function
- Efficiency up to 91.2%
- Protections: Short circuit/ Over load/ Over temperature
- Cooling by free air convection
- IP66 design for indoor and outdoor installation.
- Suitable for intelligent LED lighting



Models

RND 500-00054

RND 500-00055

Output Specifications

Output Voltage	12V	24V
Voltage Tolerance	± 0.5%	
Output Current	30A	15A
Rated Power	360W	
Load Regulation	± 2%	

Input Specifications

Input Voltage	100-265VAC	
Frequency Range	47-63Hz	
Inrush Current	65A (Twidth=360µs 230VAC)	
Full Load Efficiency (Typ.)	89.4%	91.2%
AC Current (Max.)	2.4A	
Leakage Current	<0.50mA	
Power Factor	PF>0.99/120VAC PF>0.98/230VAC (Full Loading)	

Protection

Short Circuit	Constant current mode, recovers automatically after fault condition is removed
Over Loading	≤120% constant current limiting, recovers automatically after fault condition is removed
Over Temperature	100°C± 10°C, Shut down/o/p voltage, recovers automatically after fault condition is removed
Protection Class	I

Environment

Working Temperature	-40~+60°C (Refer to derating curve)
Working Humidity	20-95% RH, non-condensing

Art. Nr.302-94-964 & 302-94-965

RND 500-00054 & RND 500-00055

360Watt DALI & Push Dimmable LED Driver



Storage Temperature, Humidity	-40~+80°C, 10-95% RH
Temperature Coefficient	±0.03%/°C (0-50°C)
Vibration	10-500Hz, 5G 10min./ 1 cycle, period for 60min.each along X, Y, Z axes

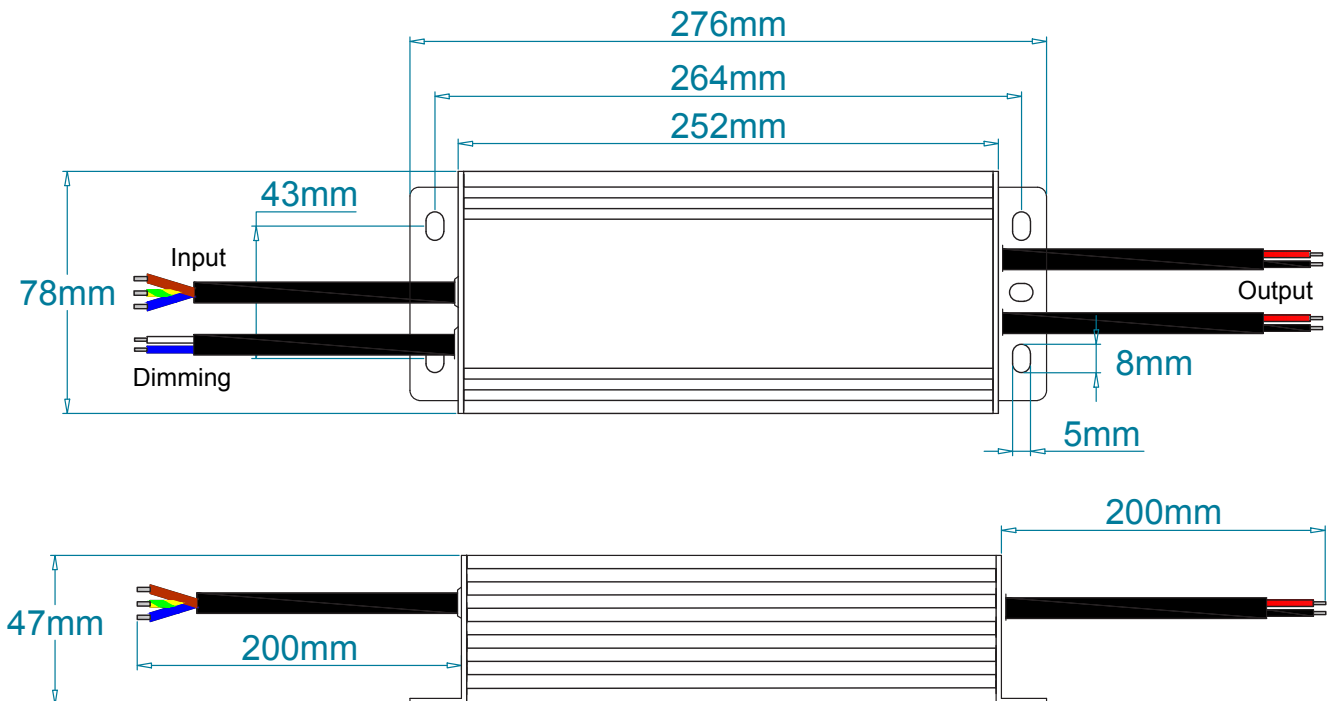
Safety & EMC

Safety standards	EN61347-1, EN61347-2-13, IP66
Withstand voltage	I/P-O/P:3.75KVAC I/P-FG:1.88KVAC O/P-FG:0.5KVAC
Isolation resistance	I/P-O/P I/P-FG O/P-FG: 100MΩ/500VDC/25°C/70%RH
EMC Emission	Compliance to EN55015, EN61000-3-2, EN61000-3-3 (≥60% load)
EMC Immunity	Compliance to EN61000-4-2,3,4,5,6,11, EN61547

Other Specifications

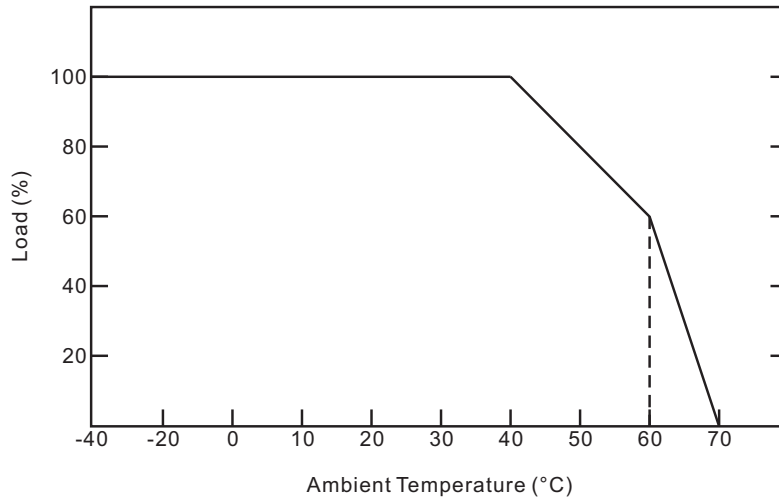
Weight	1.65 Kg
Size	276 x 78 x 47 mm
Packing	390 x 310 x 185 mm (10PCS/CTN)

Mechanical Specifications



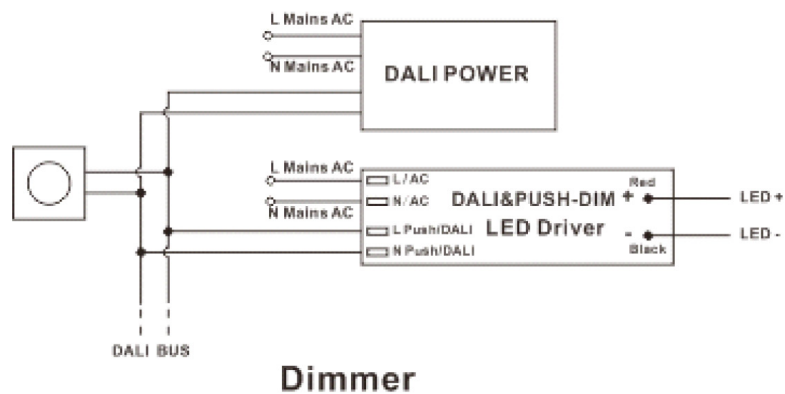
Art. Nr.302-94-964 & 302-94-965
RND 500-00054 & RND 500-00055

Derating Curve

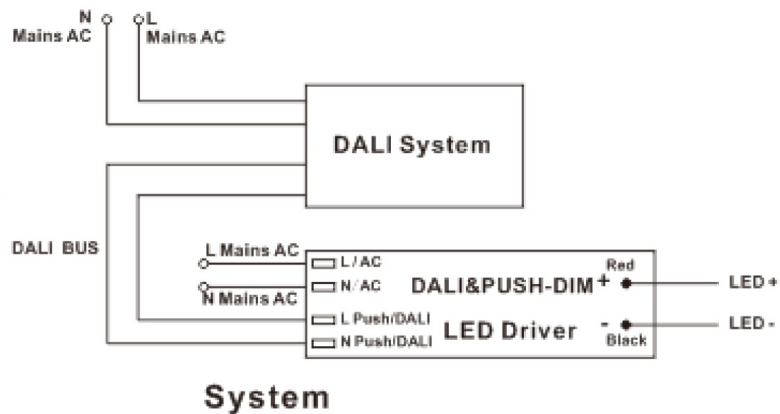


Dimming Operation

DALI Dimming Wiring Diagram1

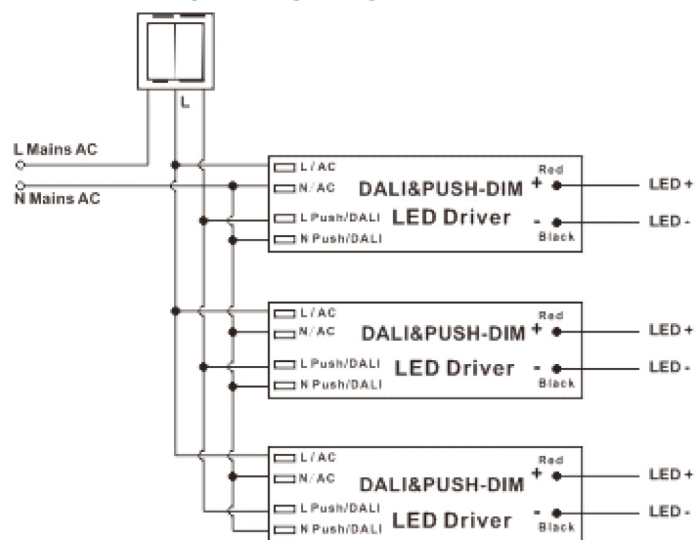


DALI Dimming Wiring Diagram2



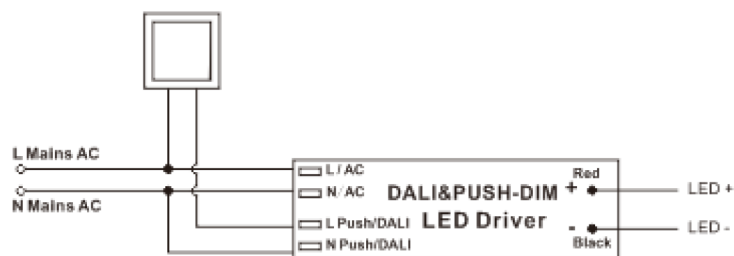
Dimming Operation

Push-Dimming Wiring Diagram1



Dimmer (with ON/OFF function)

Push-Dimming Wiring Diagram2



Dimmer