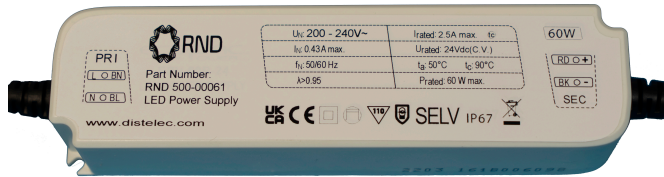


60 Watt On/OffLED Driver



Features:

- Fully approved to all lighting specifications
- Output constant voltage
- High efficiency up to 89%
- Built in Active PFC function
- ErP Compliant
- Protections: Short circuit/ over loading/over temperature/ over Voltage
- Cooling by free air convection
- IP67 design for outdoor installation
- Input Surge Protection: 2KV line-line
- Low noise and Ripple
- 5 years warranty, High efficiency for longer life



Models

RND 500-00060

RND 500-00061

Output Specifications

Output Voltage	12V	24V
Voltage Accuracy		±5%
Output Current	5A	2.5A
Rated Power		60W

Input Specifications

Input Voltage	198-264VAC
Frequency Range	47-63Hz
Full Load Efficiency (Typ.)	89%
Power Factor Correction	>0.95, Full Load 230V/50Hz
Input Current	0.73A Max
Inrush Current	50A @Full Load, 230VAC
Inrush Current (T50% value)	50A, Inrush current width 380µs
No Load Power Consumption	≤0.5W

Protection

Over Load	Min: 110% Max: 150% Hiccup Auto Recovery
Short Circuit	Hiccup Auto Recovery
Over Temperature	Protection type: Auto Restore

Environment

Working TEMP.	-20~+70°C TC Mac- 75°C
Working Humidity	20-90% RH, non-condensing
Life Time	>30,000h @40°C

Art. Nr.302-94-970 & 302-94-971

RND 500-00060 & RND 500-00061

60 Watt On/OffLED Driver



Storage Temperature -20~+85°C

Safety & EMC

Safety standards EN61347-1, EN61347-2-13

EMI EEN 55015, EN 61000-3-2, EN 61000-3-3

EMS EN61000-4-2,3,4,5,6,8,11, EN 61547

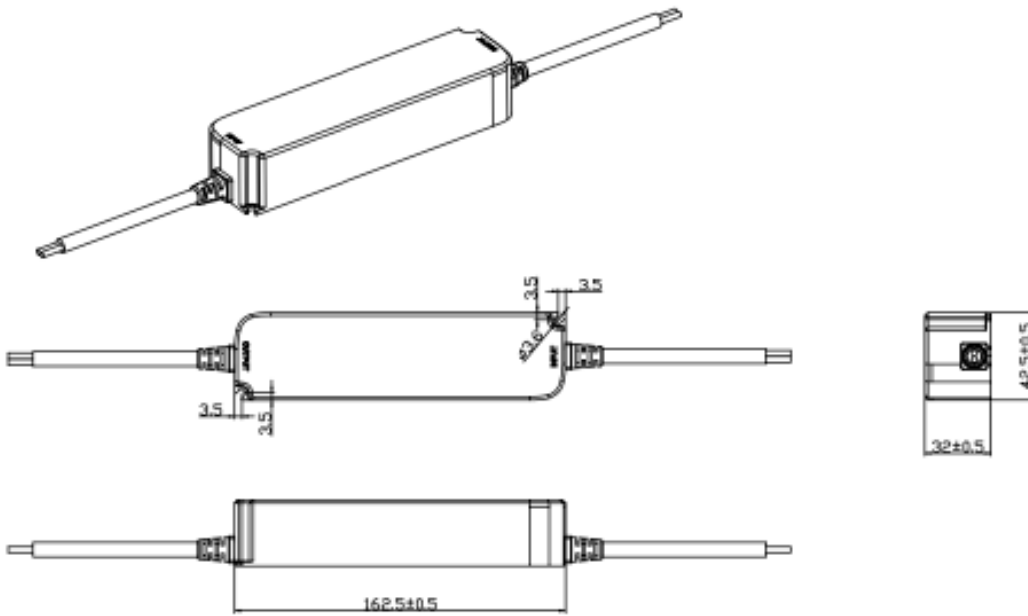
Other Specifications

Size 162.5 x 42 x 32 mm

Packing 355 x 320 x 275 mm (20PCS)

Weight 0.390Kg

Mechanical Specifications



Art. Nr.302-94-970 & 302-94-971

RND 500-00060 & RND 500-00061