

100Watt 0/1-10V Dimmable LED Driver



Features:

- Constant voltage
- 3 in 1 dimming function (0/1-10Vdc or 10v PWM signal or resistance)
- AC input: 200-240VAC
- Built-in active PFC function
- High efficiency up to 86%
- Protections: Short circuit/ Over current/ Over loading
- IP66 design for indoor and outdoor installation
- Suitable for LED lighting and moving signs



Models

RND 500-00068

RND 500-00069

Output Specifications

Output Voltage	12V	24V
Voltage Tolerance	± 0.5%	
Output Current	8.34A	4.17A
Rated Power	100W	

Input Specifications

Input Voltage	200-240VAC	
Frequency Range	47-63Hz	
Inrush Current	45.2A (Twidth=520µs 230VAC)	
Full Load Efficiency (Typ.)	83%	86%
AC Current (Max.)	0.8A	
Leakage Current	<0.50mA	
Power Factor	PF>0.98/230VAC (Full Loading)	

Protection

Short Circuit	Hicup mode, recovers automatically after fault condition is removed
Over Loading	≤120%
Over Current	≤1.2*I _{out}
Over Temperature	100°C±10°C, Shut down o/p voltage, recovers automatically after temp. goes down.

Environment

Working Temperature	-40~+60°C (Refer to derating curve)
Working Humidity	20-95% RH, non-condensing
Storage Temperature, Humidity	-40~+80°C, 10-95% RH

Art. Nr.302-94-978 & 302-94-979

RND 500-00068 & RND 500-00069

100Watt 0/1-10V Dimmable LED Driver



Temperature Coefficient $\pm 0.03\%/^{\circ}\text{C}$ (0-50°C)

Vibration 10-500Hz 5G 12min./ 1 cycle, period for 72min. each along X, Y, Z axes

Safety & EMC

Safety standards EN61347-1, EN61347-2-13

Withstand voltage I/P-O/P:3.75KVAC I/P-FG:1.88KVAC O/P-FG:0.5KVAC

Isolation resistance I/P-O/P I/P-FG O/P-FG:100M Ω /500VDC/25°C/70%RH

EMC Emission Compliance to EN55015, EN61000-3-2 ($\geq 60\%$ load)

EMC Immunity EN61000-4-2,3,4,5,6,11, EN61547, light industry Level (surge 4KV) Criteria A

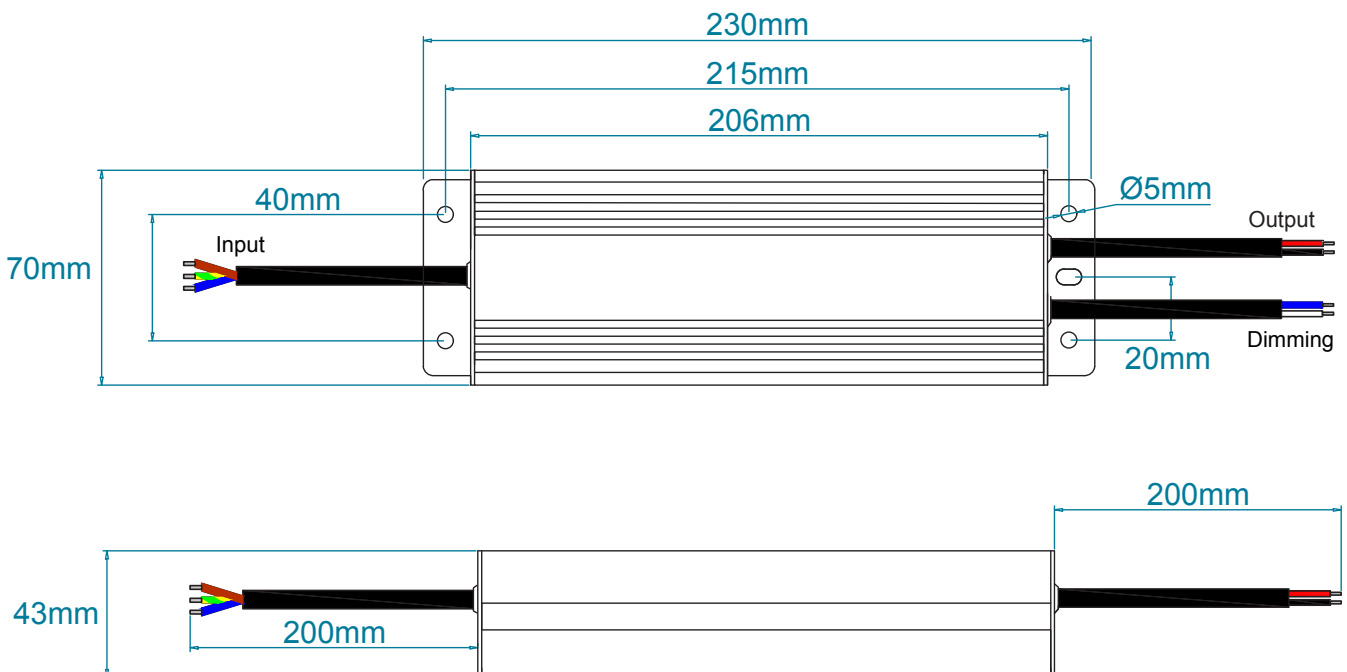
Other Specifications

Weight 1.05 Kg

Size 230 x 70 x 43 mm

Packing 329 x 279 x 176 mm (10PCS/CTN)

Mechanical Specifications



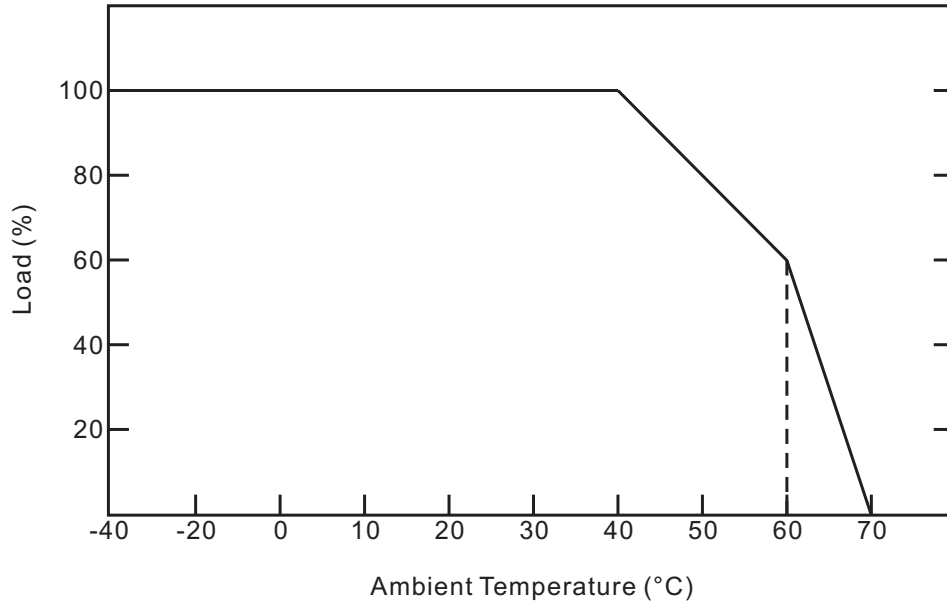
Art. Nr.302-94-978 & 302-94-979

RND 500-00068 & RND 500-00069

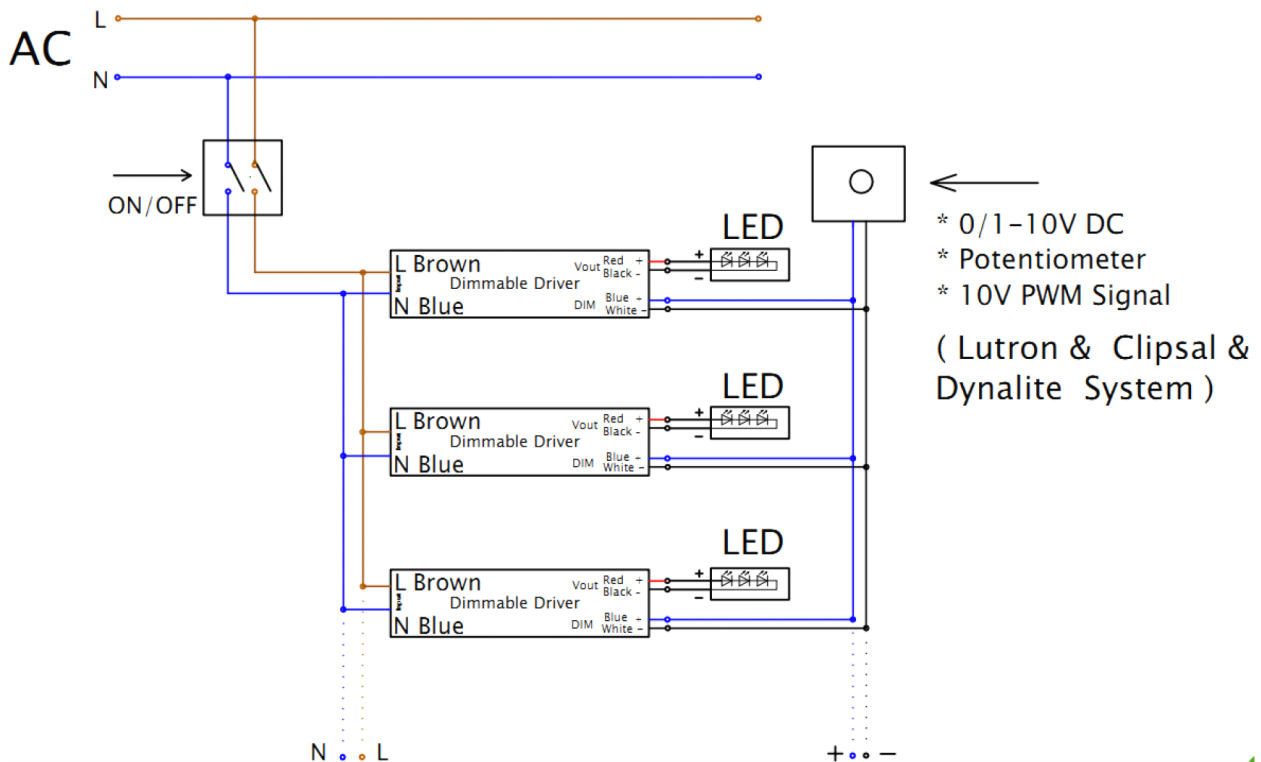
100Watt 0/1-10V Dimmable LED Driver



Derating Curve



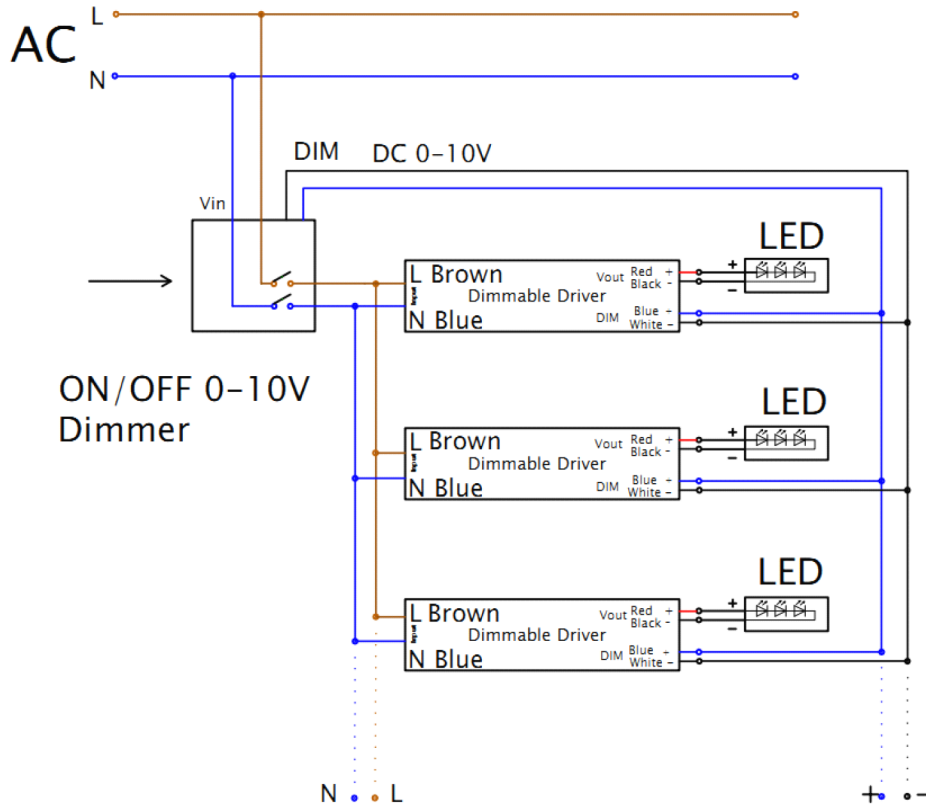
Connection Drawing



100Watt 0/1-10V Dimmable LED Driver



Connection Drawing



Dimming Operation

※Reference resistance value: (Typical)

Resistance value	Single driver	0Ω	10KΩ	20KΩ	30KΩ	40KΩ	50KΩ	60KΩ	70KΩ	80KΩ	90KΩ	100KΩ	OPEN
	Multiple drivers	0Ω/N	10KΩ/N	20KΩ/N	30KΩ/N	40KΩ/N	50KΩ/N	60KΩ/N	70KΩ/N	80KΩ/N	90KΩ/N	100KΩ/N	—
Percentage of luminous		0%	10%	20%	30%	40%	50%	60%	70%	80%	90%	100%	100%

※1-10/0-10V dimmable function :(Typical)

Dimming value	0V	1V	2V	3V	4V	5V	6V	7V	8V	9V	10V	OPEN
Percentage of luminous	0%	10%	20%	30%	40%	50%	60%	70%	80%	90%	100%	100%

※10V PWM signal: (Typical): Frequency range:100Hz-3KHZ

Duty value	0%	10%	20%	30%	40%	50%	60%	70%	80%	90%	100%	OPEN
Percentage of luminous	0%	10%	20%	30%	40%	50%	60%	70%	80%	90%	100%	100%