

200Watt 0/1-10V Dimmable LED Driver



Features:

- Constant voltage
- 3 in 1 dimming function (0/1-10Vdc or 10v PWM signal or resistance)
- AC input: 200-240VAC
- Built-in active PFC function
- High efficiency up to 89%
- Protections: Short circuit/ Over current/ Over loading
- IP66 design for indoor and outdoor installation
- Suitable for LED lighting and moving signs



| Models | RND 500-00070 | RND 500-00071 |
|-------------------------------|--|---------------|
| Output Specifications | | |
| Output Voltage | 12V | 24V |
| Voltage Tolerance | ± 0.5% | |
| Output Current | 16.67A | 8.34A |
| Rated Power | 200W | |
| Input Specifications | | |
| Input Voltage | 200-240VAC | |
| Frequency Range | 47-63Hz | |
| Inrush Current | 51.60A (Twidth=450µs 230VAC) | |
| Full Load Efficiency (Typ.) | 88% | 89% |
| AC Current (Max.) | 1.4A | |
| Leakage Current | <0.50mA | |
| Power Factor | PF>0.98/230VAC (Full Loading) | |
| Protection | | |
| Short Circuit | Constant current mode, recovers automatically after fault condition is removed | |
| Over Loading | ≤120% | |
| Over Current | ≤1.2*Iout | |
| Over Temperature | 100°C±10°C, Shut down o/p voltage, recovers automatically after temp. goes down. | |
| Environment | | |
| Working Temperature | -40~+60°C (Refer to derating curve) | |
| Working Humidity | 20-95% RH, non-condensing | |
| Storage Temperature, Humidity | -40~+80°C, 10-95% RH | |

Art. Nr.302-94-980 & 302-94-981
RND 500-00070 & RND 500-00071

200Watt 0/1-10V Dimmable LED Driver



| | |
|-------------------------|--|
| Temperature Coefficient | $\pm 0.03\%/^{\circ}\text{C}$ (0-50°C) |
| Vibration | 10-500Hz 5G 12min./ 1 cycle, period for 72min. each along X, Y, Z axes |

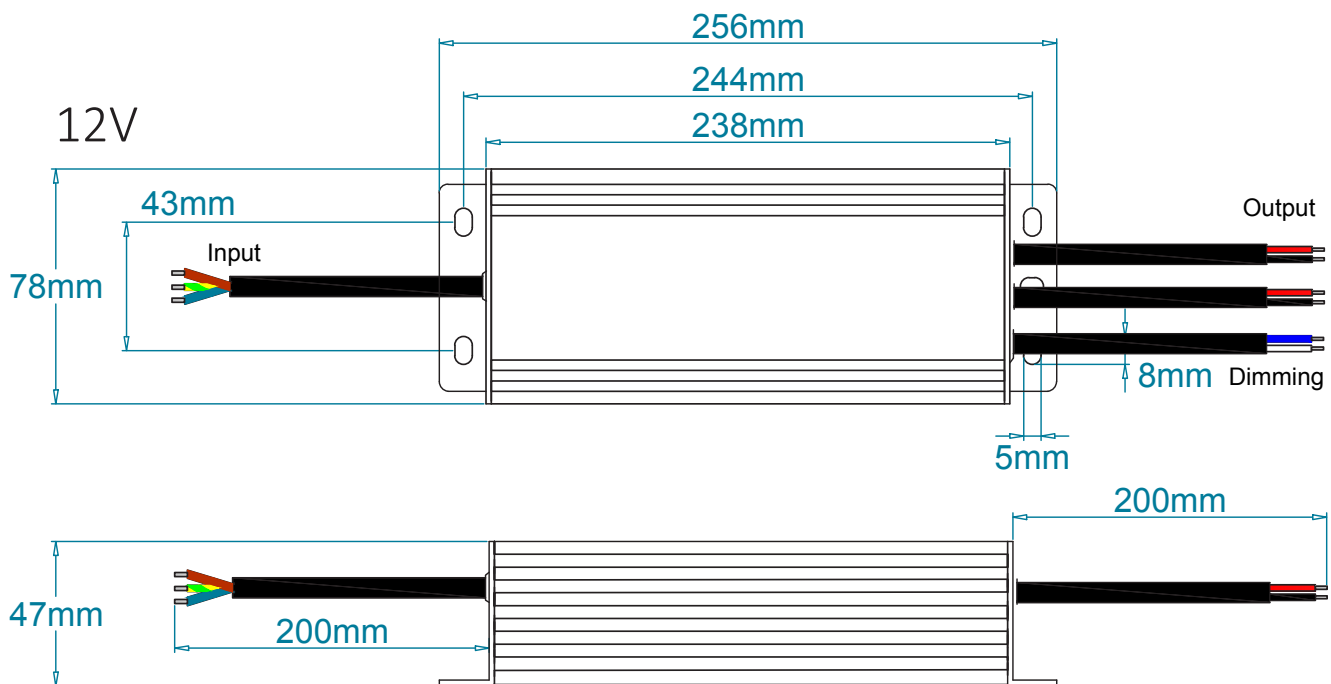
Safety & EMC

| | |
|----------------------|--|
| Safety standards | EN61347-1, EN61347-2-13 |
| Withstand voltage | I/P-O/P:3.75KVAC I/P-FG:1.88KVAC O/P-FG:0.5KVAC |
| Isolation resistance | I/P-O/P I/P-FG O/P-FG:100M Ω /500VDC/25°C/70%RH |
| EMC Emission | Compliance to EN55015,EN61000-3-2 ($\geq 60\%$ load) |
| EMC Immunity | EN61000-4-2,3,4,5,6,11, EN61547, light industry Level Criteria A |

Other Specifications

| | |
|---------|--------------------------------|
| Weight | 1.45 Kg |
| Size | 256 x 78 x 47 mm |
| Packing | 329 x 279 x 176 mm (10PCS/CTN) |

Mechanical Specifications



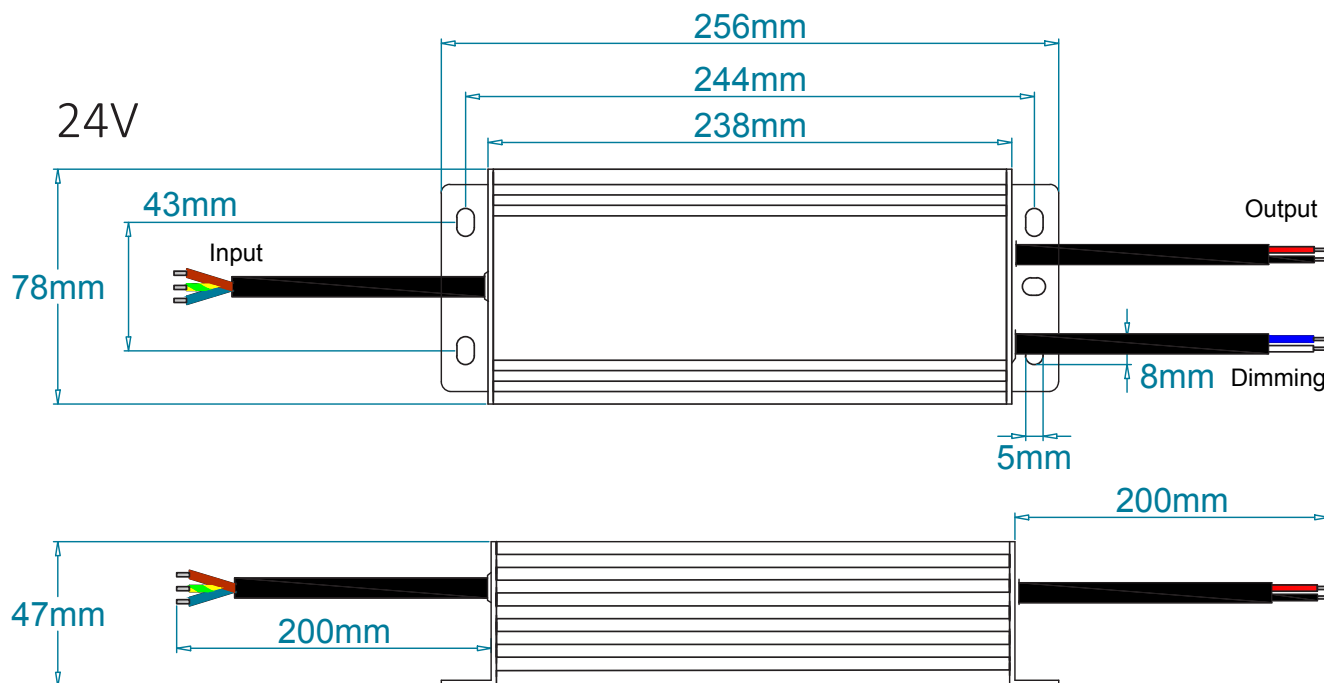
Art. Nr.302-94-980 & 302-94-981

RND 500-00070 & RND 500-00071

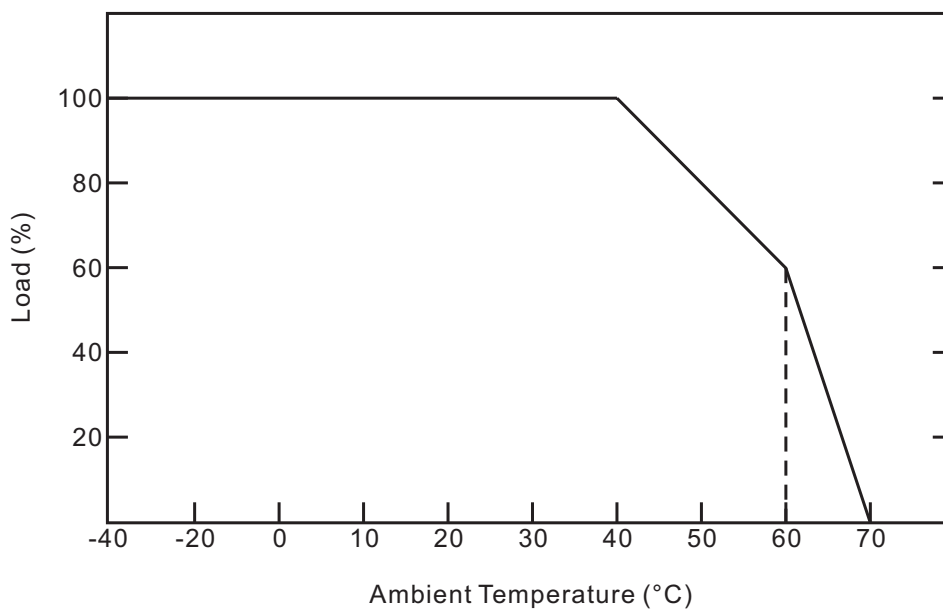
200Watt 0/1-10V Dimmable LED Driver



Mechanical Specifications



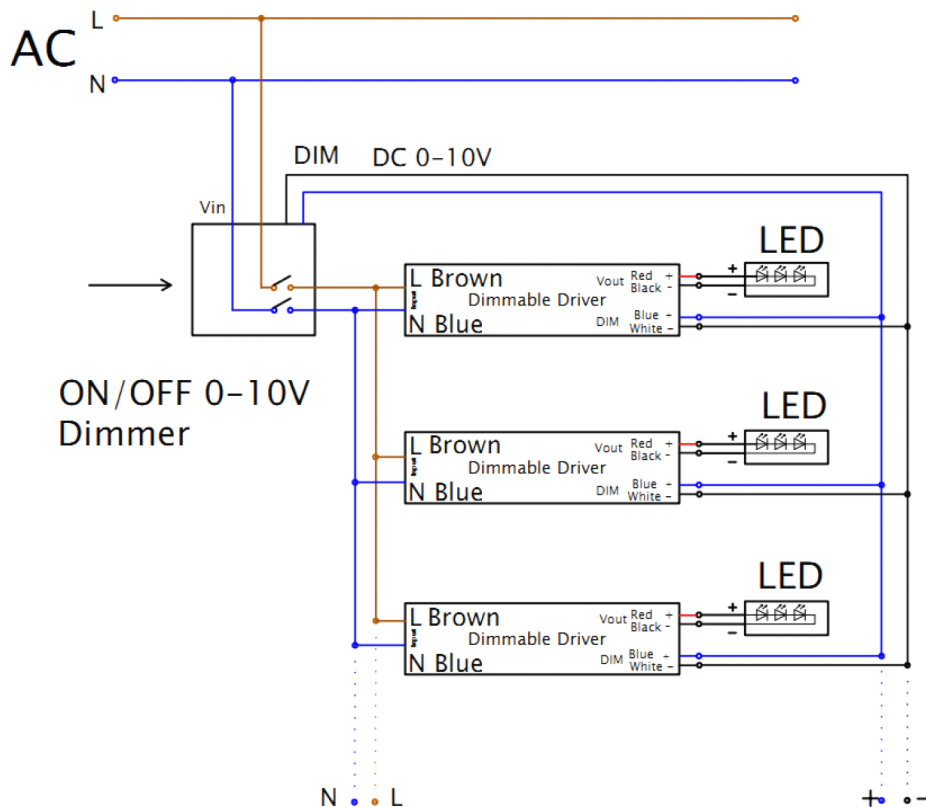
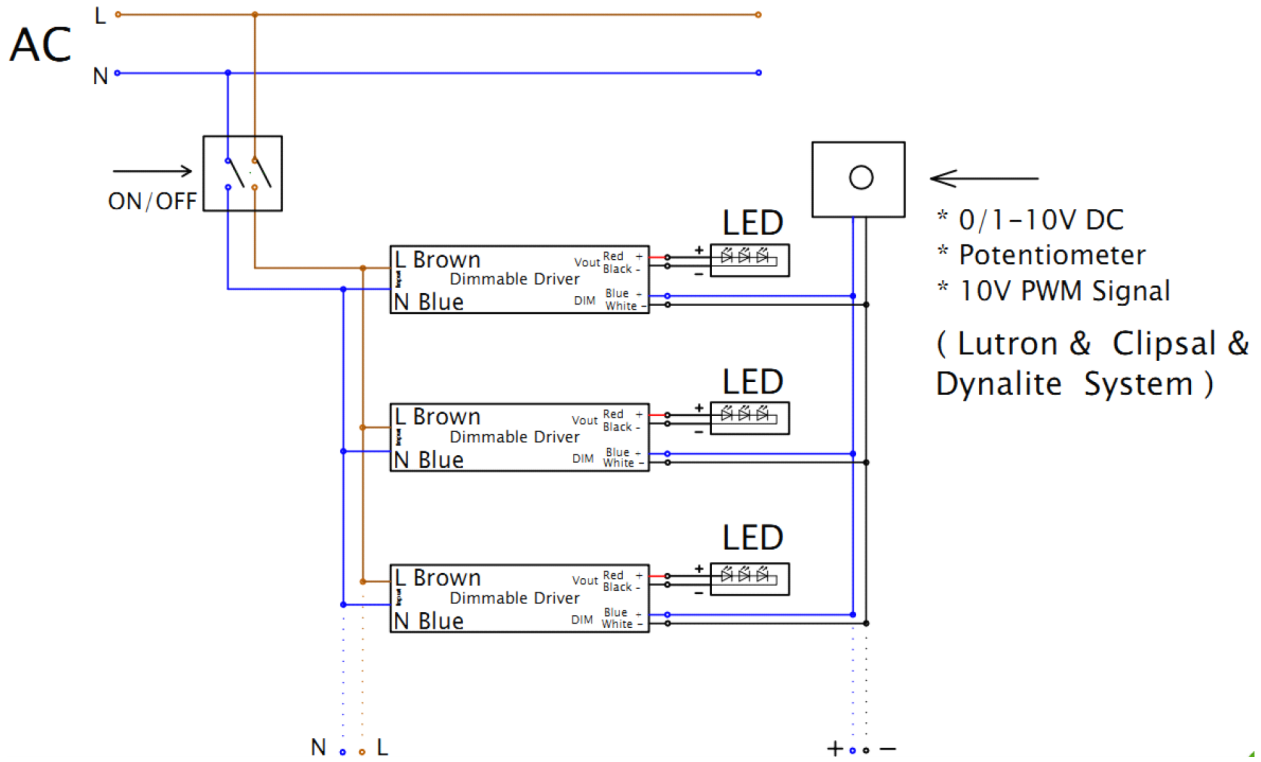
Derating Curve



200Watt 0/1-10V Dimmable LED Driver



Connection Drawing



200Watt 0/1-10V Dimmable LED Driver



Dimming Operation

※Reference resistance value: (Typical)

| | | | | | | | | | | | | | |
|------------------------|------------------|------|--------|--------|--------|--------|--------|--------|--------|--------|--------|---------|------|
| Resistance value | Single driver | 0Ω | 10KΩ | 20KΩ | 30KΩ | 40KΩ | 50KΩ | 60KΩ | 70KΩ | 80KΩ | 90KΩ | 100KΩ | OPEN |
| | Multiple drivers | 0Ω/N | 10KΩ/N | 20KΩ/N | 30KΩ/N | 40KΩ/N | 50KΩ/N | 60KΩ/N | 70KΩ/N | 80KΩ/N | 90KΩ/N | 100KΩ/N | — |
| Percentage of luminous | | 0% | 10% | 20% | 30% | 40% | 50% | 60% | 70% | 80% | 90% | 100% | 100% |

※1-10/0-10V dimmable function :(Typical)

| | | | | | | | | | | | | |
|------------------------|----|-----|-----|-----|-----|-----|-----|-----|-----|-----|------|------|
| Dimming value | 0V | 1V | 2V | 3V | 4V | 5V | 6V | 7V | 8V | 9V | 10V | OPEN |
| Percentage of luminous | 0% | 10% | 20% | 30% | 40% | 50% | 60% | 70% | 80% | 90% | 100% | 100% |

※10V PWM signal: (Typical): Frequency range:100Hz-3KHZ

| | | | | | | | | | | | | |
|------------------------|----|-----|-----|-----|-----|-----|-----|-----|-----|-----|------|------|
| Duty value | 0% | 10% | 20% | 30% | 40% | 50% | 60% | 70% | 80% | 90% | 100% | OPEN |
| Percentage of luminous | 0% | 10% | 20% | 30% | 40% | 50% | 60% | 70% | 80% | 90% | 100% | 100% |