

300Watt 0/1-10V Dimmable LED Driver



Features:

- Three in one dimming function (0/10Vdc or PWM signal or resistance)
- Output constant voltage
- AC input 100-265VAC
- High efficiency up to 91%
- Protections: Short circuit/over loading/over current
- Cooling by free air convection
- Built-in active PFC function



Models

RND 500-00072

RND 500-00073

Output Specifications

DC Voltage	12V	24V
Voltage Tolerance	± 0.5%	
Rated Current	25A	12.5A
Rated power	300W	

Input Specifications

Voltage Range	200-240VAC	
Frequency Range	47-63Hz	
Inrush Current	49.20A (Twidth=730µs 230VAC)	
Power Factor (Typ.)	PF≥0.98/230VAC PF≥0.95/265VAC(Full loading)	
Full Load Efficiency (Typ.)	90%	91%
AC Current (Typ.)	2A	
Leakage Current	<0.50mA	

Protection

Short Circuit	Hiccup mode, recovers automatically after fault condition is removed	
Over Load	<120%	
Over Current	<1.2*Iout	

Environment

Working TEMP.	-40~+60°C	
Working humidity	20- 95% RH, non-condensing	
Storage Temp. Humidity	-40 - +80°C, 10-95%RH	
Temp. Coefficient	± 0.03%/°C (0-50°C)	

Art. Nr.302-94-982 & 302-94-983

RND 500-00072 & RND 500-00073

300Watt 0/1-10V Dimmable LED Driver



Vibration 10-500Hz 5G 12min./ 1 cycle, period for 60min. each along X, Y, Z axes

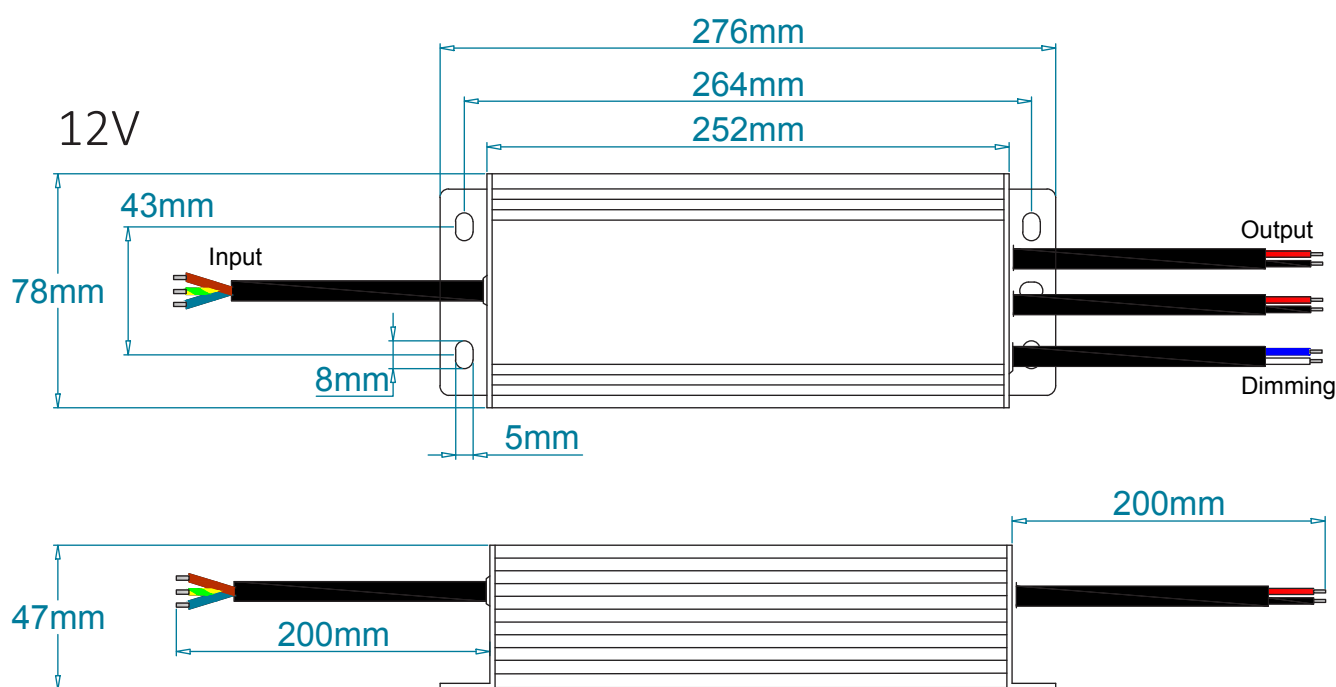
Safety & EMC

Safety standards	EN61347-1, EN61347-2-13
Withstand voltage	I/P-O/P:3.75KVAC I/P-FG:1.88KVAC O/P-FG:0.5KVAC
Isolation resistance	I/P-O/P I/P-FG O/P-FG:100M Ohms/500VDC/25°C/70%RH
EMC Emission	Compliance to EN55015, EN61000-3-2, EN61000-3-3
EMC Immunity	Compliance to EN61000-4-2,3,4,5,6,11, EN61547, light industry Level (surge 4KV) Criteria A

Other Specifications

Weight	1.7 Kg
Size	276 x 78 x 47 mm
Packing	390 x 310 x 185 mm (10PCS/CTN)

Mechanical Specifications



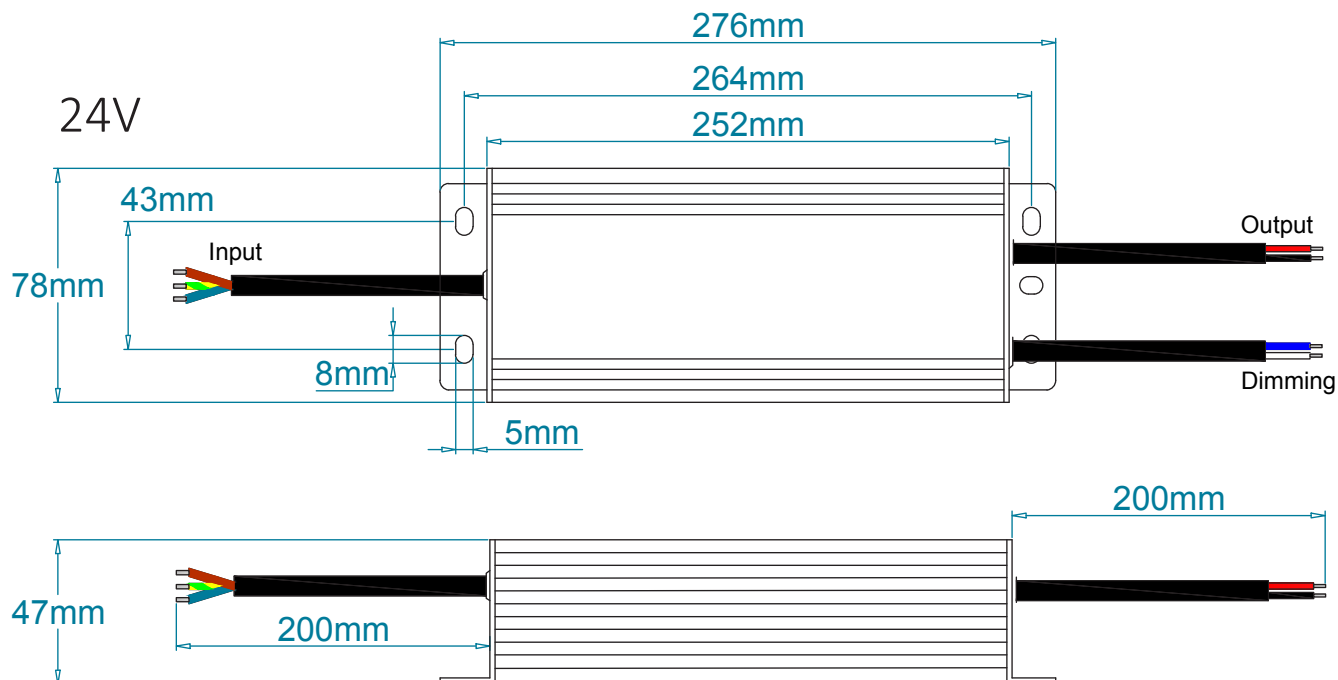
Art. Nr.302-94-982 & 302-94-983

RND 500-00072 & RND 500-00073

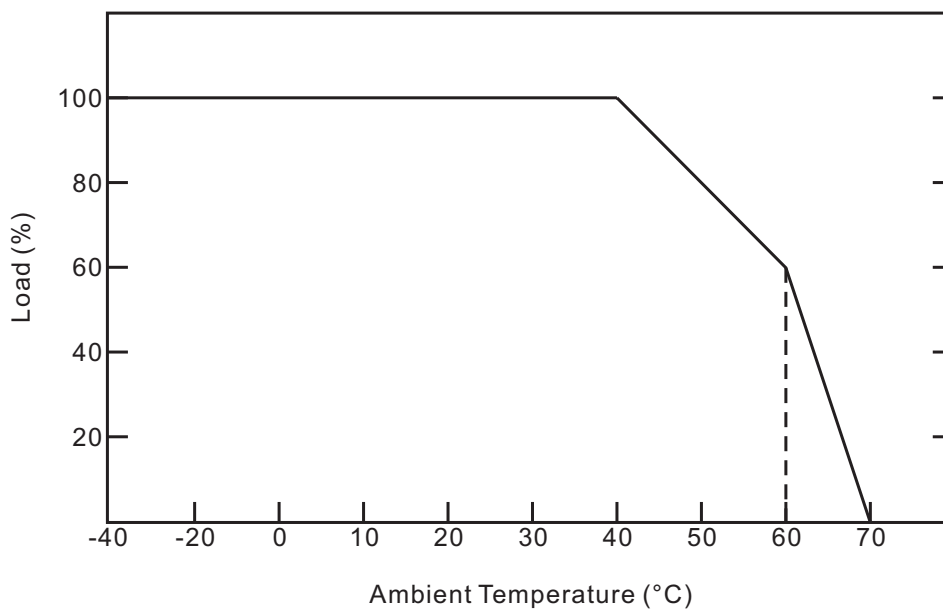
300Watt 0/1-10V Dimmable LED Driver



Mechanical Specifications



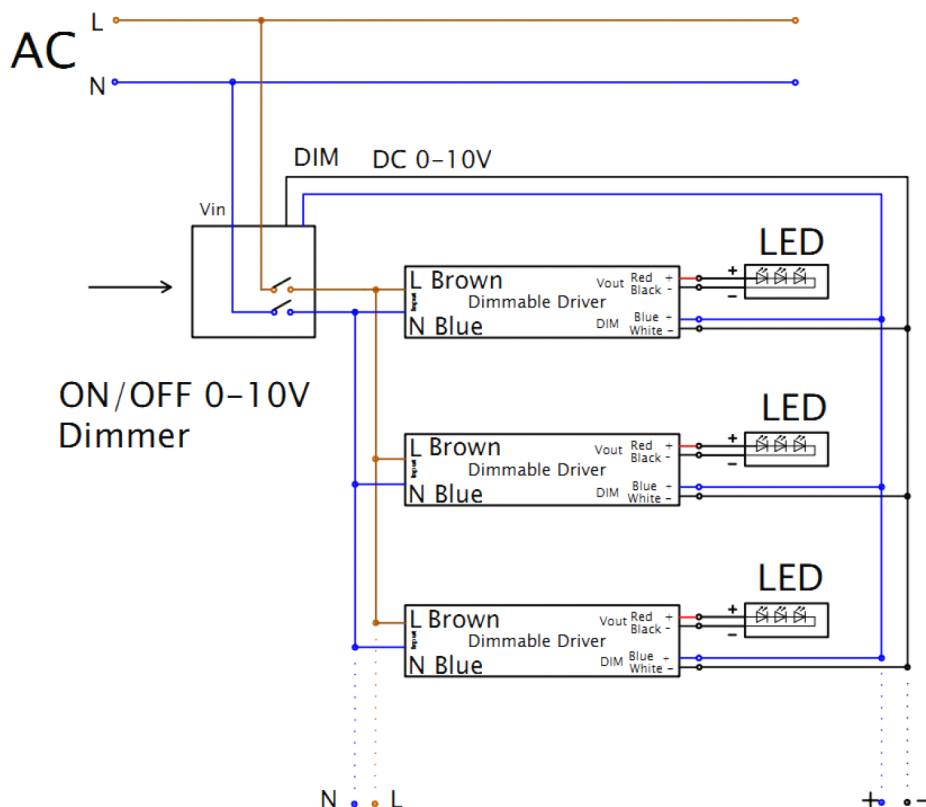
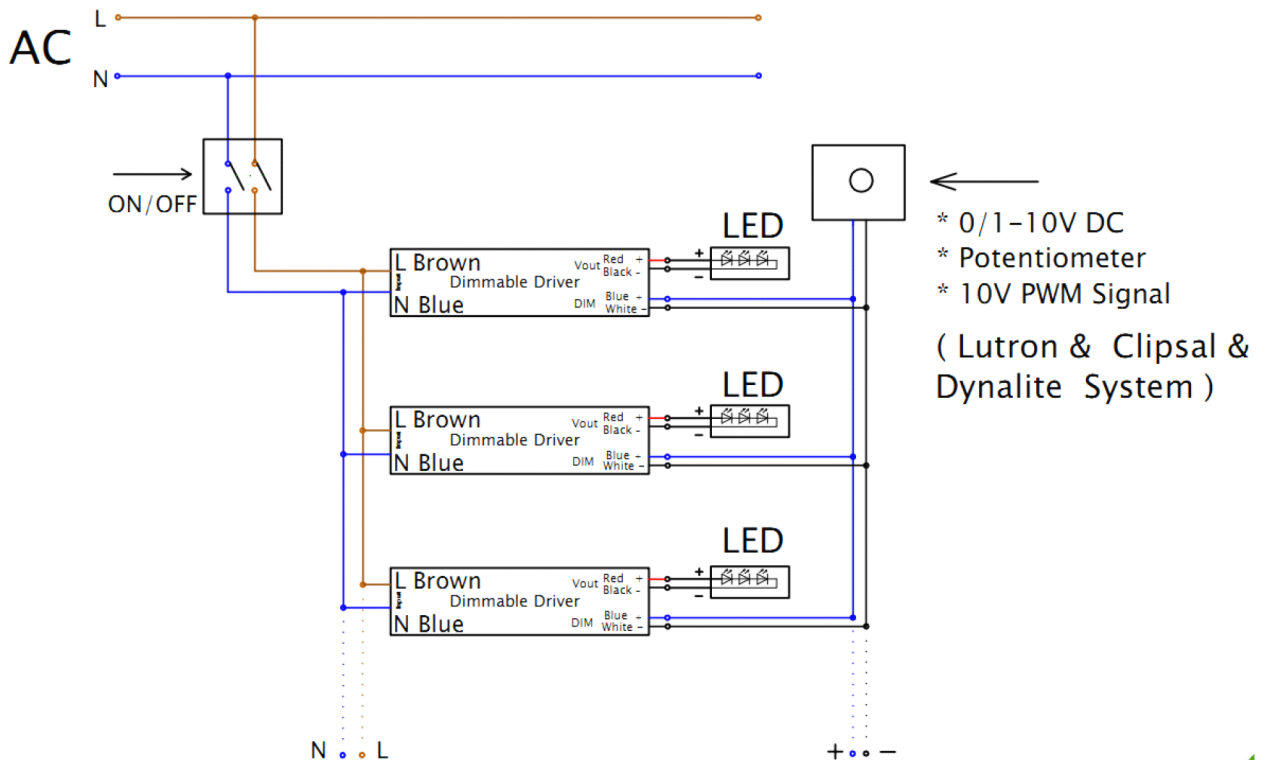
Derating Curve



300Watt 0/1-10V Dimmable LED Driver



Connection Drawing



300Watt 0/1-10V Dimmable LED Driver



Dimming Operation

※Reference resistance value: (Typical)

Resistance value	Single driver	0Ω	10KΩ	20KΩ	30KΩ	40KΩ	50KΩ	60KΩ	70KΩ	80KΩ	90KΩ	100KΩ	OPEN
	Multiple drivers	0Ω/N	10KΩ/N	20KΩ/N	30KΩ/N	40KΩ/N	50KΩ/N	60KΩ/N	70KΩ/N	80KΩ/N	90KΩ/N	100KΩ/N	—
Percentage of luminous		0%	10%	20%	30%	40%	50%	60%	70%	80%	90%	100%	100%

※1-10/0-10V dimmable function :(Typical)

Dimming value	0V	1V	2V	3V	4V	5V	6V	7V	8V	9V	10V	OPEN
Percentage of luminous	0%	10%	20%	30%	40%	50%	60%	70%	80%	90%	100%	100%

※10V PWM signal: (Typical): Frequency range:100Hz-3KHZ

Duty value	0%	10%	20%	30%	40%	50%	60%	70%	80%	90%	100%	OPEN
Percentage of luminous	0%	10%	20%	30%	40%	50%	60%	70%	80%	90%	100%	100%