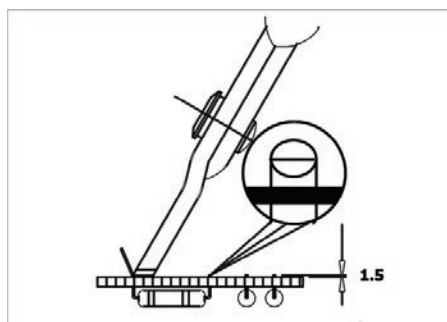


Cutting pliers

without bevel, ESD



Front cut 60°

Cut 1.5 mm from the surface

SPECIFICATION:

Length	144 mm
Head Shape	raised/60°
Variants	ESD
Wire, Cu, ø	1.02 mm
Material	Steel
Cutting type	without bevel

Art. Nr.

RND 550-00055