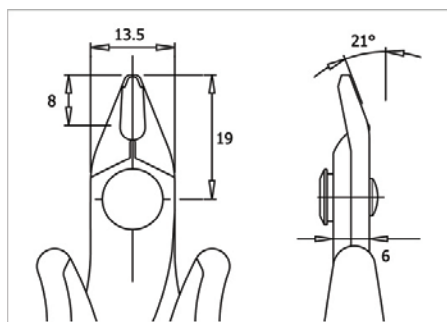


# Cutting pliers

with bevel, ESD



Suitable for cutting ferrous material

## SPECIFICATION:

Length	138 mm
Head Shape	raised/21°
Variants	ESD
Wire, Cu, ø	2.05 mm
Material	Steel
Cutting type	with bevel

Art. Nr.

RND 550-00057