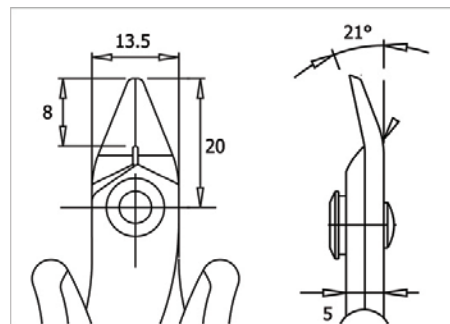


Cutting pliers

without bevel



Reverse flush cut
Cut 1.5 mm from the surface

SPECIFICATION:

Length	138 mm
Head Shape	raised/21°
Wire, Cu, \varnothing	1.3 mm
Material	Steel
Cutting type	without bevel

Art. Nr.
RND 550-00059