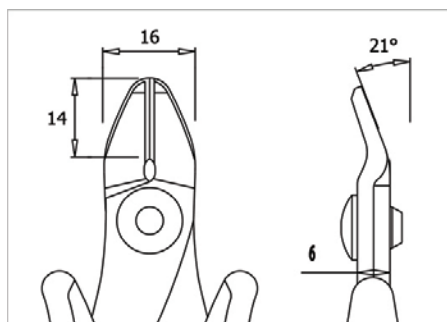


Cutting pliers

with bevel, ESD



SPECIFICATION:

Length	160 mm
Head Shape	raised/21°
Variants	ESD
Wire, Cu, ø	2.59 mm
Material	Steel
Cutting type	with bevel

Art. Nr.
RND 550-00060