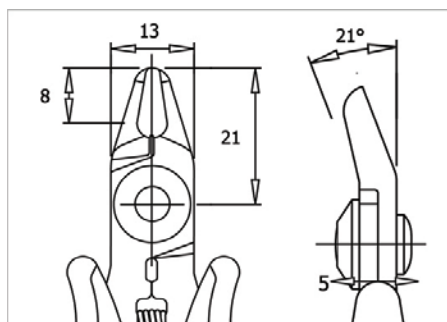


Cutting pliers

without bevel, ESD



SPECIFICATION:

Length	138 mm
Head Shape	raised/21°
Variants	ESD
Wire, Cu, ø	2.0 mm
Material	Steel
Cutting type	without bevel

Art. Nr.
RND 550-00061