

Case

black 390 x 295 x 102 mm, Polypropylene



FEATURES:

- Plastic case with foam
- Innovative design with soft lines
- External customization: screen-printing on both sides, embossed
- Die-cut foam inlay
- Cases stack inside each other for easier and more efficient storage and freight

SPECIFICATION:

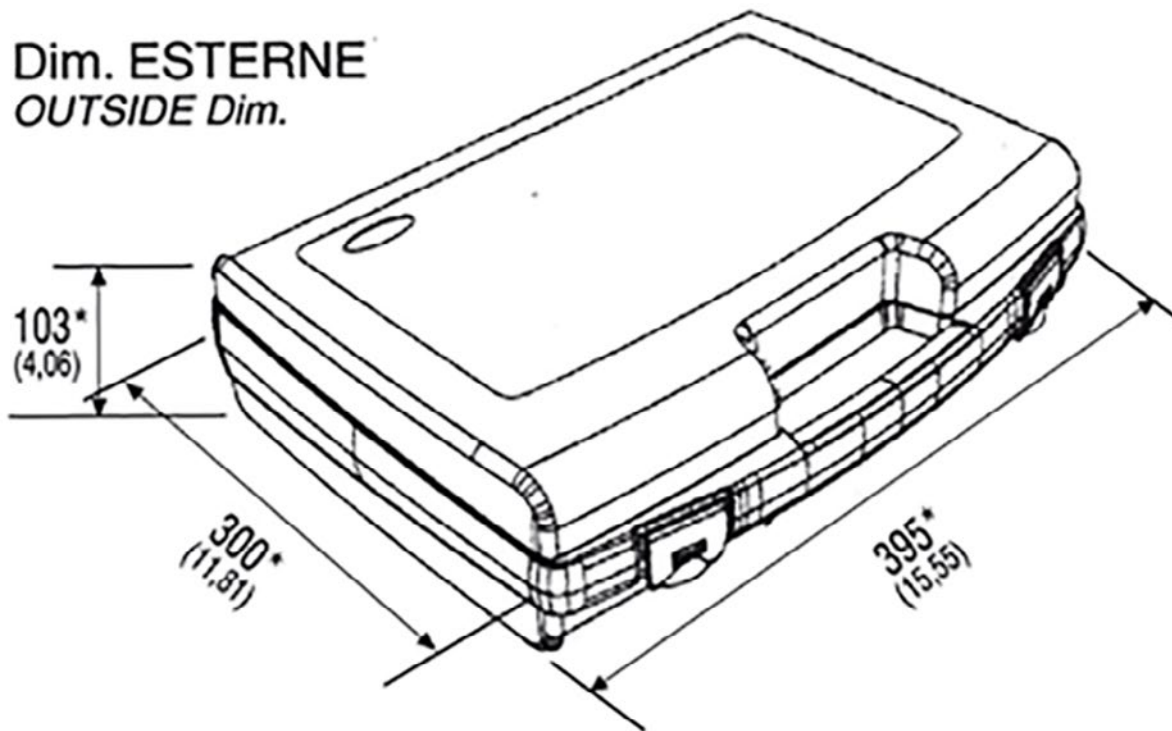
External dimensions W x D x H	390 x 295 x 102 mm
Dimensions, internal W x D x H	385 x 235 x 98 mm
Colour	black
Material	Polypropylene



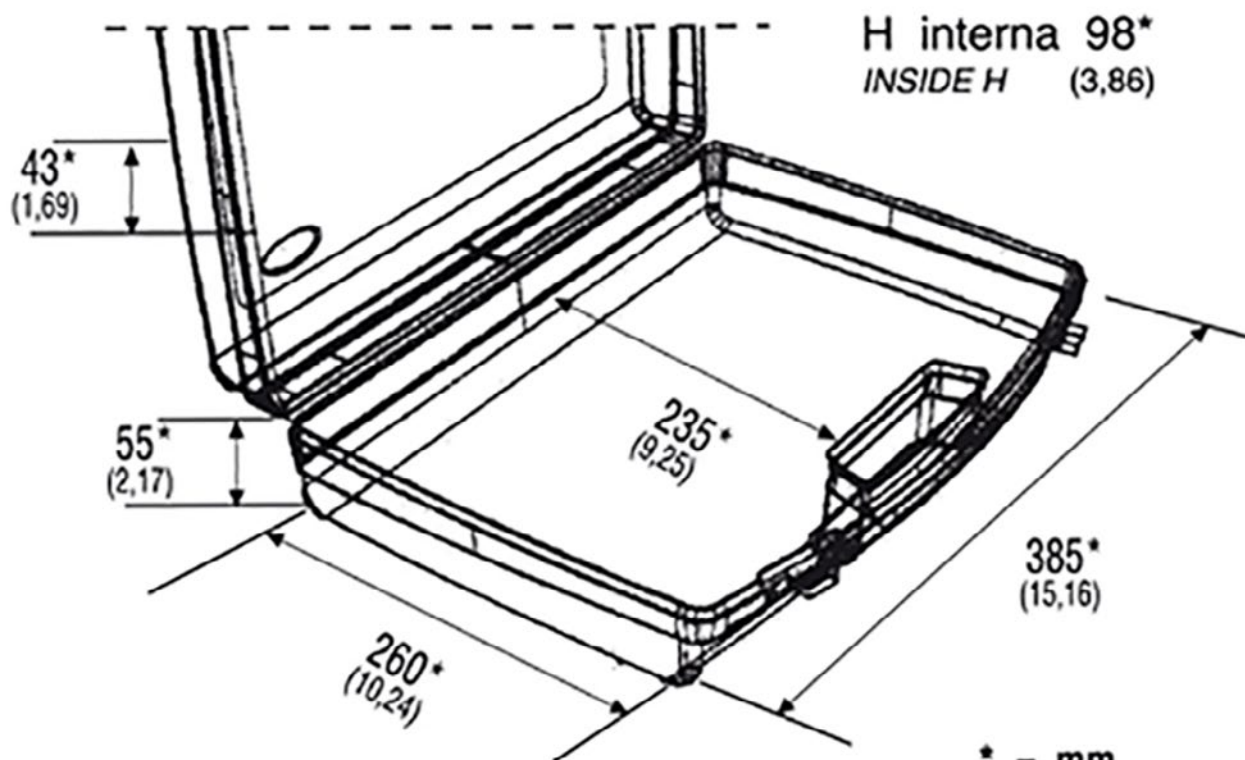
Art. Nr.

RND 550-00079

Dim. ESTERNE
OUTSIDE Dim.



Dim. INTERNE
INSIDE Dim.



* = mm.
() = inch.