

Case

black 260 x 210 x 44 mm, Polypropylene



FEATURES:

Plastic case with foam

Innovative design with soft lines

External customization: screen-printing on both sides, embossed

Die-cut foam inlay

Cases stack inside each other for easier and more efficient storage and freight

SPECIFICATION:

External dimensions W x D x H 260 x 210 x 44 mm

Dimensions, internal W x D x H 248 x 160 x 39 mm

Colour black

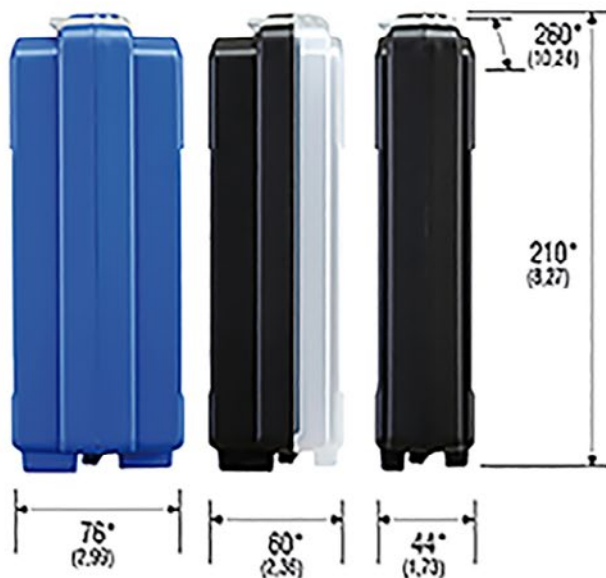
Material Polypropylene



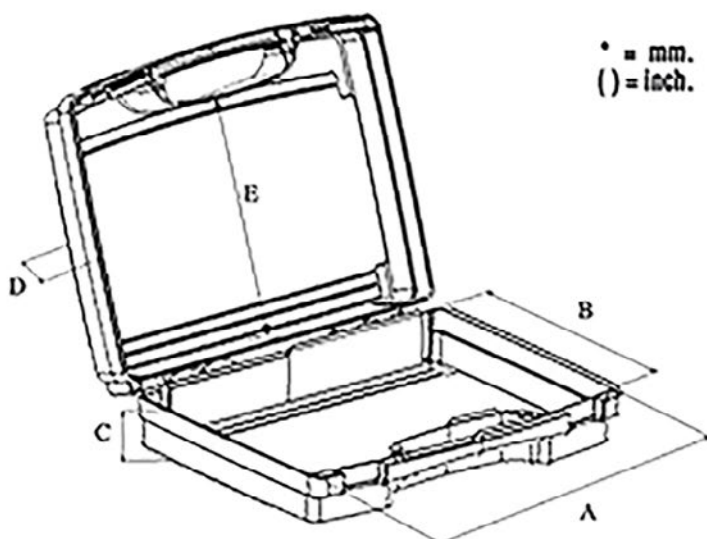
Art. Nr.

RND 550-00080

Dim. ESTERNE
OUTSIDE Dim.



° = mm.
() = inch.



Dim. INTERNE
INSIDE Dim.

		A	B	C	D	E
Art. 170/26/44	mm	248	178	19,5	19,5	160
	Inch.	9,76	7,01	0,77	0,77	6,30
Art. 170/26/60	mm	247	177	35,5	19,5	159
	Inch.	9,72	6,95	1,40	0,77	6,26
Art. 170/26/76	mm	247	177	35,5	35,5	159
	Inch.	9,72	6,95	1,40	1,40	6,26