

Case

black 260 x 210 x 76 mm, Polypropylene



FEATURES:

- Plastic case with foam
- Innovative design with soft lines
- External customization: screen-printing on both sides, embossed
- Die-cut foam inlay
- Cases stack inside each other for easier and more efficient storage and freight

SPECIFICATION:

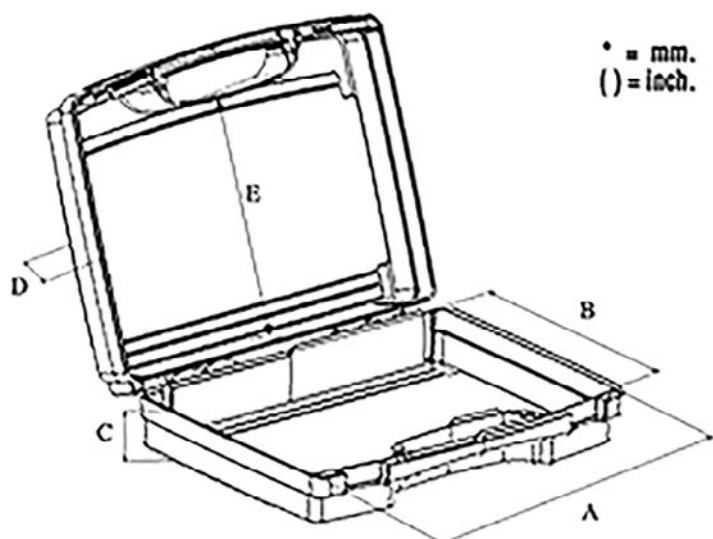
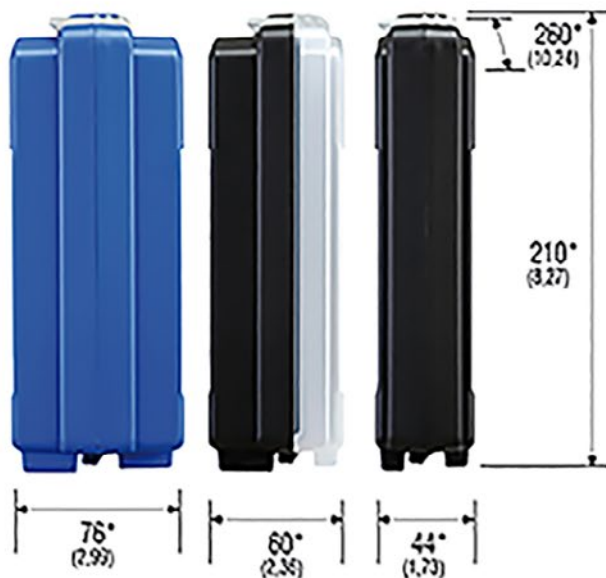
External dimensions W x D x H	260 x 210 x 76 mm
Dimensions, internal W x D x H	247 x 159 x 71 mm
Colour	black
Material	Polypropylene



Art. Nr.

RND 550-00081

Dim. ESTERNE
OUTSIDE Dim.



Dim. INTERNE
INSIDE Dim.

		A	B	C	D	E
Art. 170/26/44	mm	248	178	19,5	19,5	160
	Inch.	9,76	7,01	0,77	0,77	6,30
Art. 170/26/60	mm	247	177	35,5	19,5	159
	Inch.	9,72	6,95	1,40	0,77	6,26
Art. 170/26/76	mm	247	177	35,5	35,5	159
	Inch.	9,72	6,95	1,40	1,40	6,26