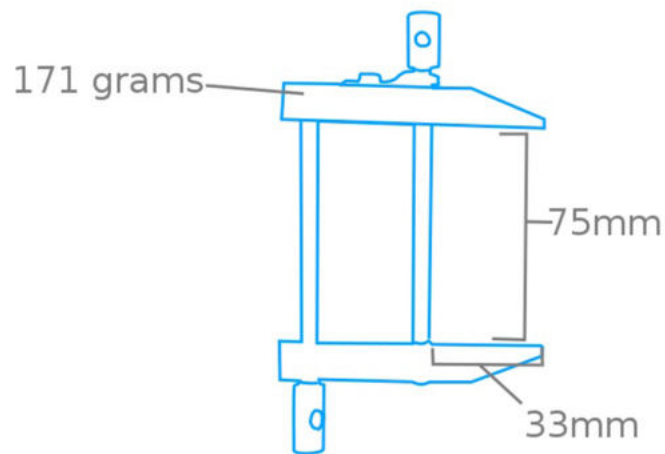


# Toolmakers Parallel Clamps 75 mm



## FEATURES:

The toolmakers parallel clamps consist of two metal jaws which are opened and closed by two screws at right angles to the length of the jaws. The clamps are useful for holding small work together especially when drilling.



Art. Nr.  
RND 550-00223