

# Trolley Tool Box with Storage Insert



## Features

- Tight seal around lid
- Wheels
- Pull along extendable handle
- Automatic pressure release valve
- Easy to open double throw latches
- Load tested soft grip handle
- Stackable interlocking system
- Thick body material
- Extra fixing points
- Fully length hinges
- Polyamide pins, corrosion free
- Steel Vat compartment for safe carrying of tools if required



## Specification

**IP67 RATING** **ATA 300** **MIL SPECS** DEF STAN 81-41  
STANAG 4280

External Dimensions	502 x 422 x H267mm
Internal Dimensions	465 x 335 x H220mm
Cover Depth - Bottom	40 + 180mm
Weight	6.89kg
Temperature Range	-30 ... 90 °C
Capacity	34.271 l
Protection Rating	IP67

## Material Specification

Base	Polypropylene Copolymer
Latches	Polyamide
O-Ring	Polymer
Moulding	Injection Moulded

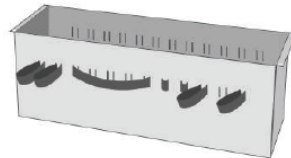
Art. Nr.

RND 550-00510





### 1) Placement of the elastics in the galvanized steel vat

Place the elastics according to your needs using the pre-cut slots. Use as many slots as needed.



#### CONTENT

-  X4 Self-threading screws
-  X4 Metal clamps to stop elastic from coming off
-  X2 Elastics
-  X1 Accessory box
-  X1 Galvanized steel vat

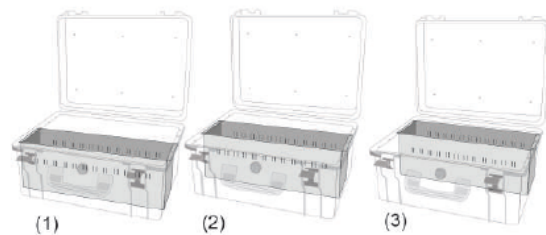
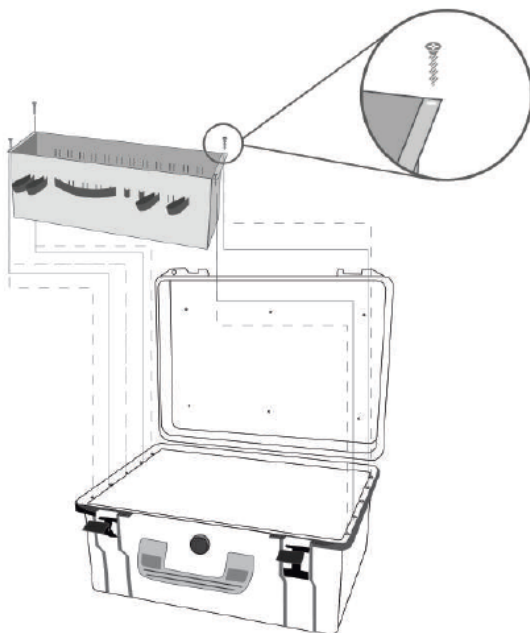
### 2) Fix the ends of the elastic with the metal clamps

Use pliers to tighten the clamps on to the elastics.



### 3) Placement of the vat in the case

The vat can be placed in three positions.



- (1) Front placement
- (2) Middle placement
- (3) Back placement

