

Optical Fiber Network Saddle

Nylon 6/6 RMS-01



FEATURES:

Pack of 50 pieces

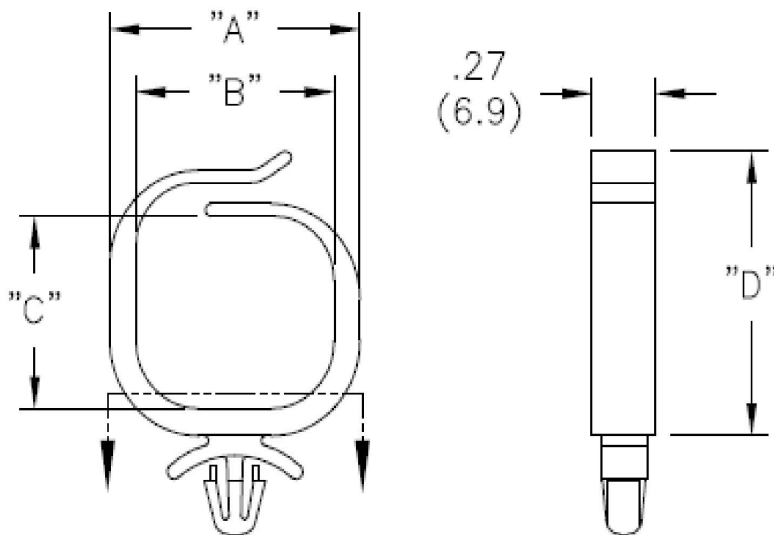
SPECIFICATION:

Bore hole ϕ	6.35 mm
Colour	Natural
Material	Nylon 6/6 RMS-01
A	26.8 mm
B	21.2 mm
C	19.0 mm
D	28.2 mm



Art. Nr.

RND 610-00299



TO SNAP LOCK INTO A
250±.003 (6.35±0.08) DIA.
HOLE IN A .031-.079
(0.8-2.0) THICK PANEL