

Fan Mount

EPDM Rubber, 32.3 mm



FEATURES:

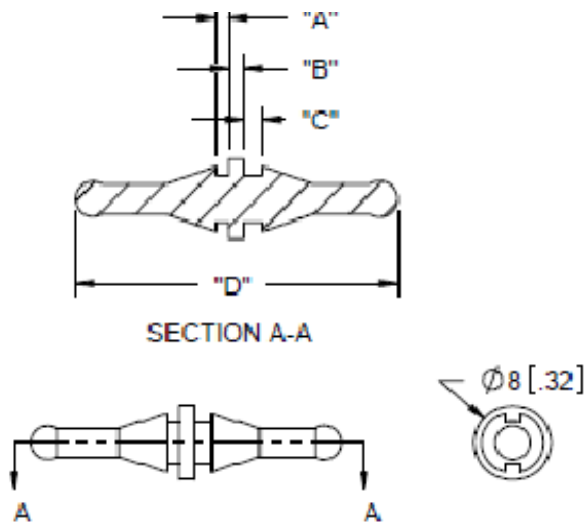
For mounting fans on heatsinks, holders, ventilation ducts and deflectors

Resistant to mechanical vibrations

Demountable

SPECIFICATION:

Material	EPDM Rubber, 30 shore A (RMS-166)
Colour	Black
A	1.3 mm
B	1.5 mm
C	1.9 mm
D	32.3 mm



Can be pulled through a $\text{Ø}5\pm1$ mm hole with maximum 1.4 mm panel and 2 mm fan thickness

Art. Nr.

RND 610-00303