

Fan Mount

EPDM Rubber, 32.3 mm

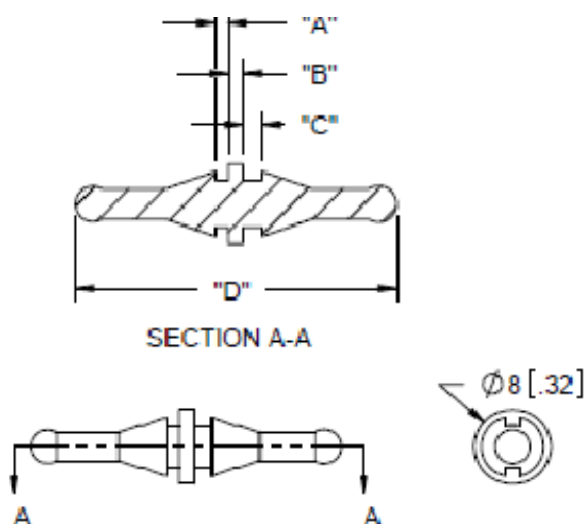


FEATURES:

For mounting fans on heatsinks, holders, ventilation ducts and deflectors
Resistant to mechanical vibrations
Demountable

SPECIFICATION:

Material	EPDM Rubber, 40 shore A (RMS-180)
Colour	Black
A	1.3 mm
B	1.5 mm
C	1.9 mm
D	32.3 mm



Can be pulled through a $\varnothing 5 \pm 1$ mm hole with maximum 1.4 mm panel and 2 mm fan thickness

Art. Nr.
RND 610-00304