

Fan Mount

EPDM Rubber, 22.2 mm

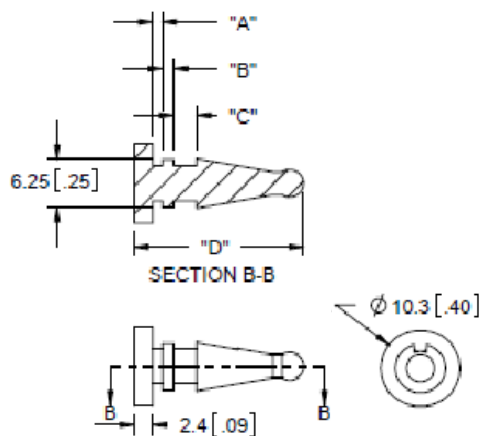


FEATURES:

For mounting fans on heatsinks, holders, ventilation ducts and deflectors
Resistant to mechanical vibrations
Demountable

SPECIFICATION:

Material	EPDM Rubber, 30 shore A (RMS-166)
Colour	Black
A	1.3 mm
B	1.5 mm
C	3.0 mm
D	22.2 mm



Can be pulled through a $\varnothing 5 \pm 1$ mm hole with maximum 1.4 mm panel and 3.1 mm fan thickness

Art. Nr.

RND 610-00305