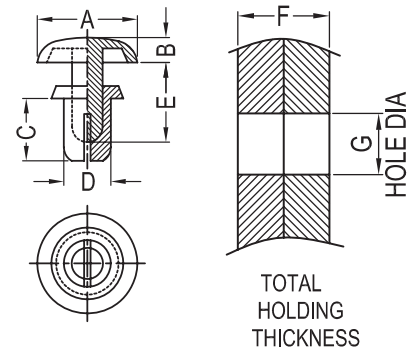


# Plastic Snap Rivets

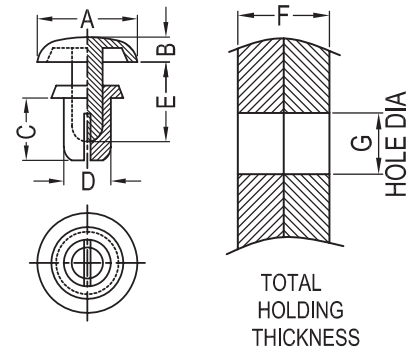


## SPECIFICATION:

Material	Polyamide 6, UL94V-2
Colour	White

Art. Nr.	A (mm)	B (mm)	C (mm)	D (mm)	E (mm)	F (mm)	G (Hole $\phi$ ) $\pm 0.1$ (mm)	Extraction Force (kg)
RND 610-00803	4.2	1.2	2.4	2.0	2.8	0.6 ... 1.2	2.1	3.0
RND 610-00804	4.2	1.2	3.2	2.0	3.8	1.3 ... 2.0	2.1	3.0
RND 610-00805	4.2	1.2	4.0	2.0	5.5	2.1 ... 2.8	2.1	3.0
RND 610-00806	4.2	1.2	4.8	2.0	5.5	2.9 ... 3.6	2.1	3.0
RND 610-00807	4.2	1.2	5.6	2.0	7.2	3.7 ... 4.4	2.1	3.0
RND 610-00808	4.2	1.2	6.4	2.0	7.2	4.4 ... 5.2	2.1	3.0
RND 610-00809	5.0	1.4	3.2	2.6	4.6	1.0 ... 2.0	2.7	3.0
RND 610-00810	5.0	1.4	4.2	2.6	4.6	2.0 ... 3.0	2.7	3.0
RND 610-00811	5.0	1.4	4.8	2.6	6.2	2.7 ... 3.6	2.7	3.0
RND 610-00812	5.0	1.4	5.5	2.6	6.2	3.4 ... 4.3	2.7	3.0
RND 610-00813	5.0	1.4	6.4	2.6	7.8	4.3 ... 5.2	2.7	3.0
RND 610-00814	5.0	1.4	7.2	2.6	7.8	5.1 ... 6.0	2.7	3.0
RND 610-00815	6.4	1.6	3.5	3.0	5.1	1.0 ... 2.0	3.1	7.0
RND 610-00816	6.4	1.6	4.5	3.0	6.1	2.0 ... 3.0	3.1	7.0
RND 610-00817	6.4	1.6	5.5	3.0	6.1	3.0 ... 4.0	3.1	7.0
RND 610-00818	6.4	1.6	6.5	3.0	7.1	4.0 ... 5.0	3.1	7.0
RND 610-00819	6.4	1.6	7.5	3.0	9.0	5.0 ... 6.0	3.1	7.0
RND 610-00820	6.4	1.6	8.0	3.0	9.0	5.5 ... 6.5	3.1	7.0
RND 610-00821	6.4	1.6	9.0	3.0	11.0	6.5 ... 7.5	3.1	7.0
RND 610-00822	6.4	1.6	10.0	3.0	11.0	7.5 ... 8.5	3.1	7.0
RND 610-00823	6.4	1.6	14.5	3.0	15.5	11.5 ... 13	3.1	7.0
RND 610-00824	6.4	1.6	23.0	3.0	24.0	20.5 ... 21.5	3.1	7.0
RND 610-00825	6.4	1.6	3.5	3.5	5.1	1.2 ... 2.1	3.6	7.0
RND 610-00826	6.4	1.6	4.5	3.5	6.1	2.1 ... 3.0	3.6	7.0
RND 610-00827	6.4	1.6	5.0	3.5	6.1	2.7 ... 3.6	3.6	7.0
RND 610-00828	6.4	1.6	5.5	3.5	7.1	3.0 ... 4.0	3.6	7.0
RND 610-00829	6.4	1.6	6.0	3.5	7.1	3.7 ... 4.6	3.6	7.0
RND 610-00830	6.4	1.6	7.0	3.5	9.0	4.5 ... 5.5	3.6	7.0
RND 610-00831	6.4	1.6	8.0	3.5	9.0	5.5 ... 6.5	3.6	7.0

# Plastic Snap Rivets



## SPECIFICATION:

Material	Polyamide 6, UL94V-2
Colour	White

Art. Nr.	A (mm)	B (mm)	C (mm)	D (mm)	E (mm)	F (mm)	G (Hole $\phi$ ) $\pm 0.1$ (mm)	Extraction Force (kg)
RND 610-00832	8.0	1.8	5.0	4.0	7.1	2.5 ... 3.5	4.1	15.0
RND 610-00833	8.0	1.8	6.0	4.0	7.1	3.5 ... 4.5	4.1	15.0
RND 610-00834	8.0	1.8	7.0	4.0	9.0	4.5 ... 5.5	4.1	15.0
RND 610-00835	8.0	1.8	8.0	4.0	9.0	5.5 ... 6.5	4.1	15.0
RND 610-00836	8.0	1.8	9.0	4.0	11.0	6.5 ... 7.5	4.1	15.0
RND 610-00837	8.0	1.8	10.0	4.0	11.0	7.5 ... 8.5	4.1	15.0
RND 610-00838	8.0	1.8	12.0	4.0	14.0	9.0 ... 10.5	4.1	15.0
RND 610-00839	8.0	1.8	15.5	4.0	16.6	12.5 ... 14	4.1	15.0
RND 610-00840	9.0	2.2	4.5	5.0	6.5	1.5 ... 2.5	5.1	20.0
RND 610-00841	9.0	2.2	5.5	5.0	6.5	2.5 ... 3.5	5.1	20.0
RND 610-00842	9.0	2.2	6.5	5.0	8.5	3.5 ... 4.5	5.1	20.0
RND 610-00843	9.0	2.2	7.5	5.0	8.5	4.5 ... 5.5	5.1	20.0
RND 610-00844	9.0	2.2	8.5	5.0	10.5	5.5 ... 6.5	5.1	20.0
RND 610-00845	9.0	2.2	9.5	5.0	10.5	6.5 ... 7.5	5.1	20.0
RND 610-00846	9.0	2.2	10.5	5.0	12.0	7.5 ... 8.5	5.1	20.0
RND 610-00847	12.0	2.7	6.3	5.8	9.0	3.0 ... 4.5	5.9	20.0
RND 610-00848	12.0	2.5	6.0	6.0	9.0	2.5 ... 4.0	6.1	30.0
RND 610-00849	12.0	3.0	8.0	6.0	10.0	3.5 ... 5.5	6.1	30.0