

# USB Webcam

RND 715-00006



## Features

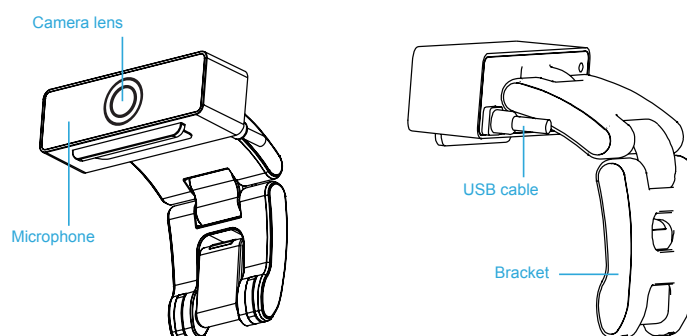
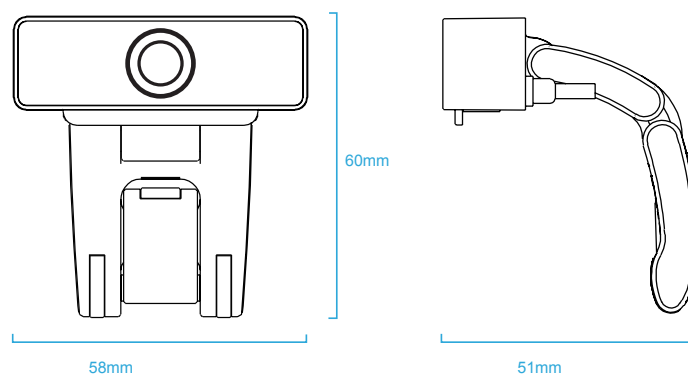
- 1/2.9" colour CMOS sensor
- Supports H.264 image compression
- Max resolution: 1920 x 1080
- Max image frame: 60fps
- Built-in 48 dB microphone
- Supports USB2.0\USB1.0, fast and full automatic switching
- Supports multiple Windows operating systems



## Specification

Image Sensor	1/2.9" Colour CMOS Sensor
Image Resolution	1920 x 1080 / 1280 x 720 / 640 x 360
Lens Type	6P+1R, F/NO 4.4 mm, EFL 2 mm, BFL 1 mm
Lens Angle	60°
Audio Format	USB Audio Support Class 1.0, ADC 16 bit
Microphone	Built-In 48 dB Microphone
Image Compression	H.264
Image Frame Rate	60 fps
Video Resolution	HD1080P (1920 x 1080 25fps), HD 720P (1280 x 720 30fps), VGA (640*480 60fps)
Operating Temperature	0 ... 55 °C
Operating Humidity	20 ... 85% Non Condensation
Storage Temperature	-10 ... 60 °C
Storage Humidity	0 ... 90% Non Condensation
Operating System	Windows10 32bit/64bit; Windows8 32bit/64bit; Windows7 32bit/64bit; Windows Vista 32bit/64bit; Windows XP SP2 32bit/64bit
Power Supply	DC 5 V

## Product Diagram



# USB Headset with Mic and Mute Option



## Features

- Adjustable over-the-head design for a comfortable fit that won't slip off
- Soft earpad, flexible and lightweight design ensures all-day comfort
- USB cable for simple, plug-and-play connectivity
- Microphone mute indicator light tells you when mute is enabled
- Advanced digital USB delivers superior sound quality



## Headset Specification

Dimensions	135 x 50 x 165 mm
Weight	115 g
Operating Temperature	-10 ... 45 °C
Storage Temperature	-20 ... 60 °C

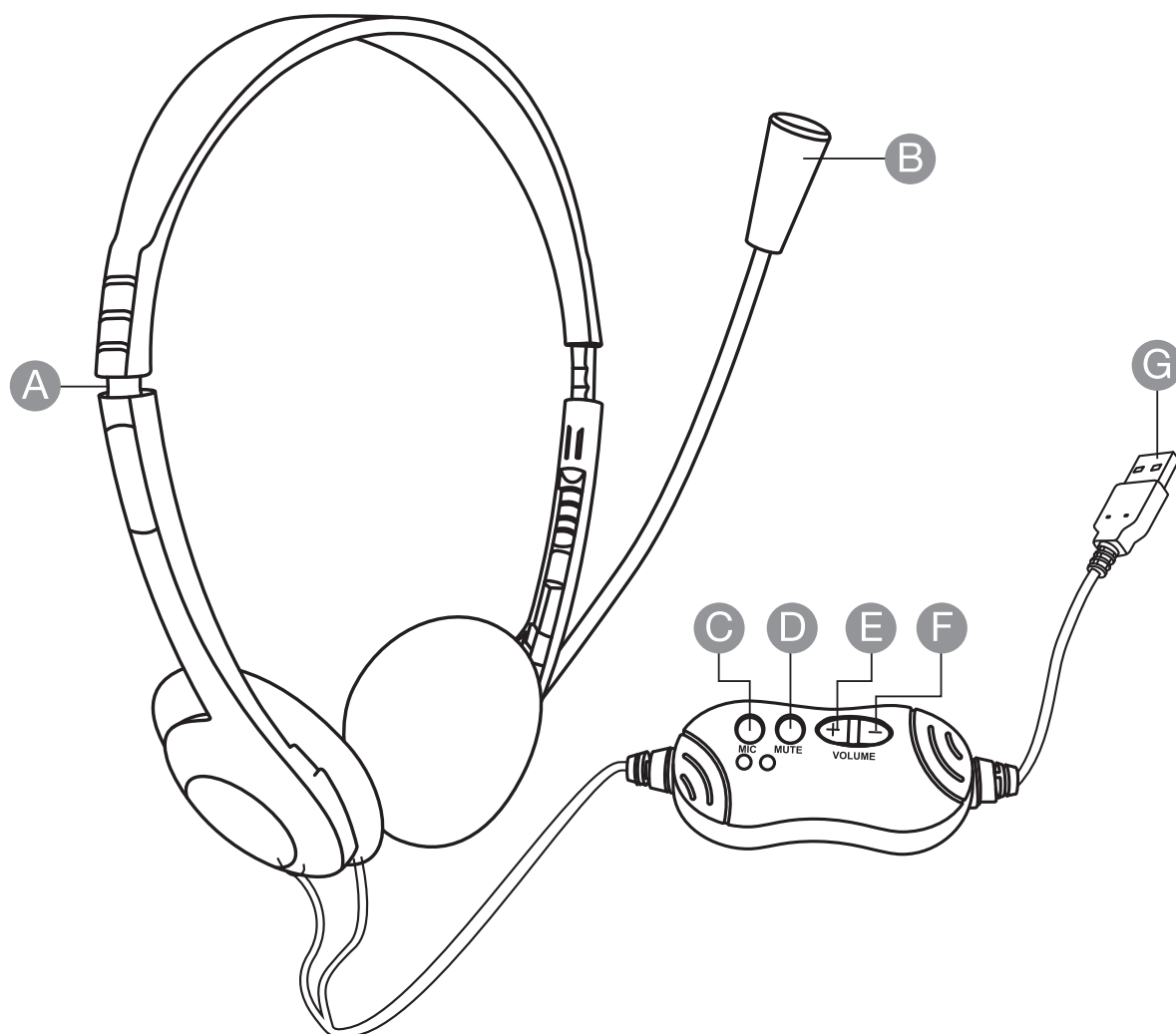
## Headband Specification

Materials	h# ' " o ' U
o	.
O	' ' " ' k

## Driver / Speaker Specification

Speaker Diameter	30 mm
Speaker Type	NdFeB
Impedance	32 $\Omega$
Sound Pressure Level	100 $\pm$ 3 dB / mW
L - R Two Speaker Balance	< 3 dB
Maximum Input Power	80 mW
Micro USB Charging Cable	300 mm
Audio Cable with Microphone	1.8 m
Microphone Sensitivity	57 $\pm$ 3 dB
Frequency Range	20 Hz ... 20 kHz
Distortion	< 5% at 1 kHz

# USB Headset with Mic and Mute Option



- A** Adjustable headband
- B** Microphone
- C** Microphone mute with red indicator
- D** Headphone mute with green indicator
- E** Volume up
- F** Volume down
- G** USB-A plug

\*This illustration is for reference purposes only.

Art Nr.  
RND 745-00001