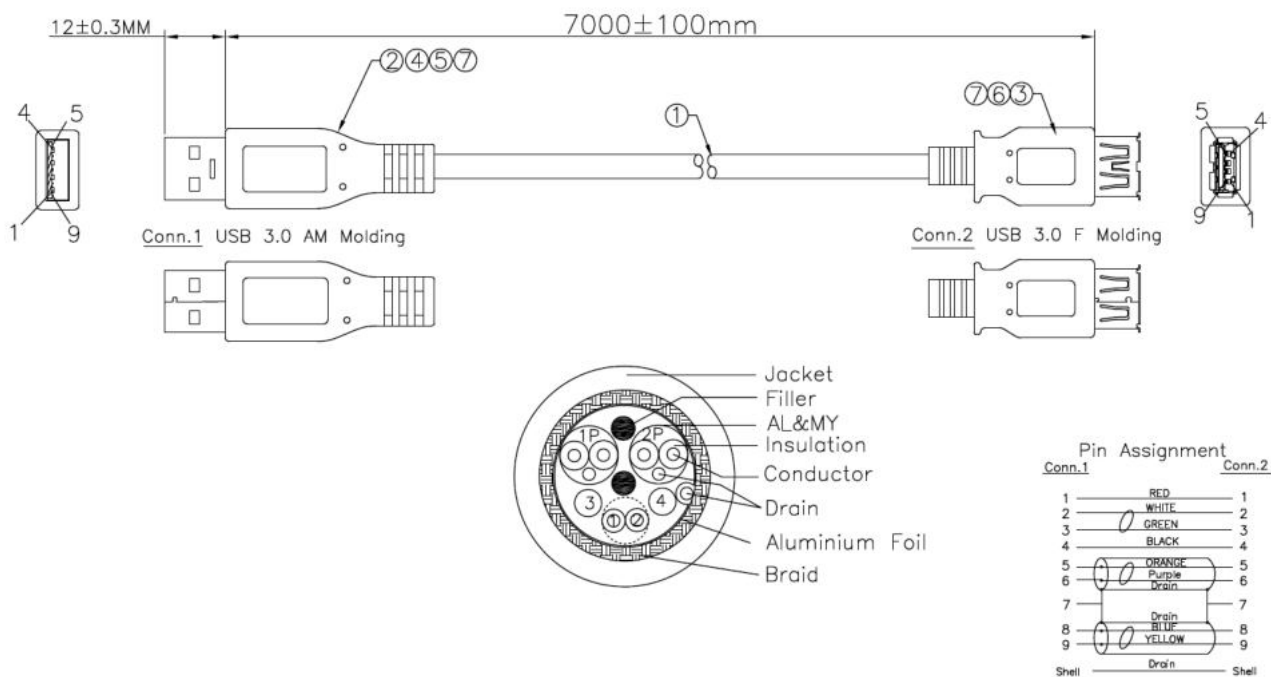


USB 3.0 A Plug to USB 3.0 A Socket Cable



SPECIFICATION:

| | |
|-------------------------|---|
| Contact Resistance | 2ohm max. |
| Insulation Resistance | 10Mohm min (DC300V/10ms) |
| Length | 7000mm |
| Cable Jacket Colour (9) | PVC black |
| Cable Marking (8) | E342987 AWM style 2725 80°C 30V VW-1 super high speed USB revision 3.0 |
| Over Mold (7) | 45P black PVC |
| Inner Mold (6) | Transparent PE |
| Tin (5) | USB 3.0 A(M) front shell, nickel plated |
| Tin (4) | USB 3.0 A(M) rear shell, nickel plated |
| Connector (3) | USB 3.0 A(F) blue rubber core, nickel plated |
| Connector (2) | USB 3.0 A(M) 9Pin blue rubber core, gold plated pins 5u |
| Wire Specification(1) | USB 3.0 UL2725 [28AWG(7/0.122TC)+EAM]*2P+[28AWG(7/0.122TC)+AL]*1P +24AWG(7/0.20TC)*2C+AEB(16/8/0.12AL85%)OD:5.5mm black |



Art. Nr.
RND 765-00089