

USB-A - USB-C Cable

Features

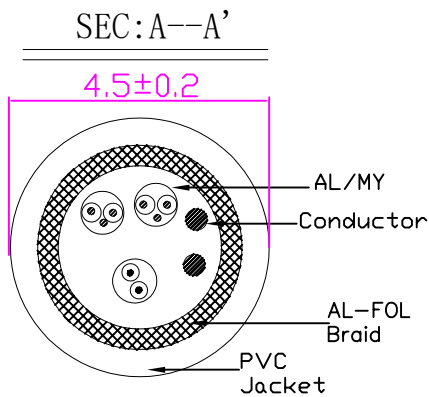
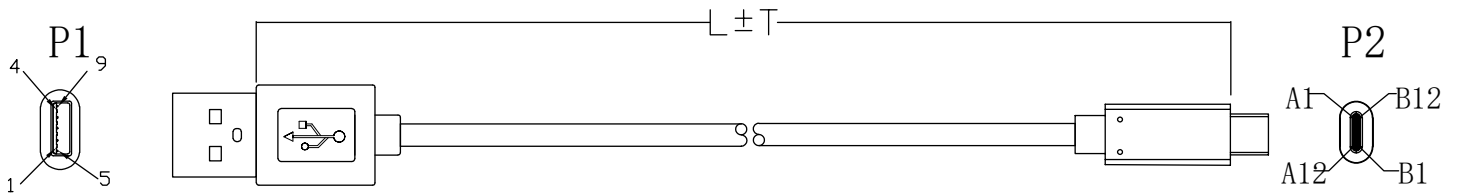
- USB 3.1 offering speeds of up to 10 Gbps
- PVC sheath offering excellent durability and protection
- Gold plated connectors offering a reliable connection
- Suitable for a wide range of applications



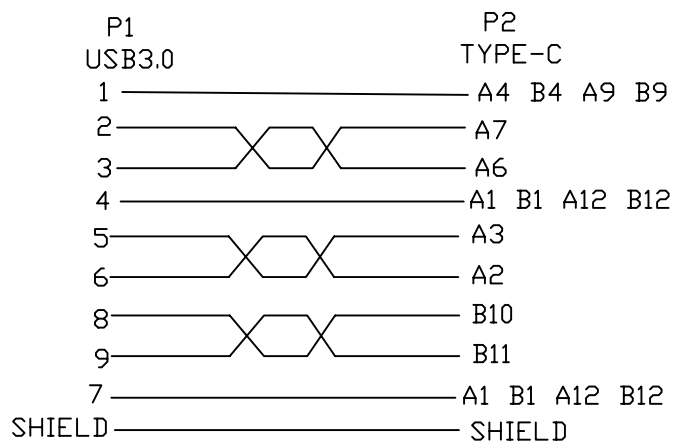
Specification

Cable Design	Round
Connector A	USB-A Plug
Connector B	USB-C Plug
Cross-Section AWG	32;23 AWG
External Material	PVC
Jacket Colour	White
Length	3 m
USB Type	USB 3.1
Plating Material	Shelf - Gold, Pin - Gold
Outside Diameter	4.5 mm
Insulation Resistance	300 VDC - 10 MOhm
Conductor Resistance	5 Ohm

Drawing



PIN ASSIGNMENT



Art. Nr.
RND 765-00299