

USB-C - USB-C Cable

Features

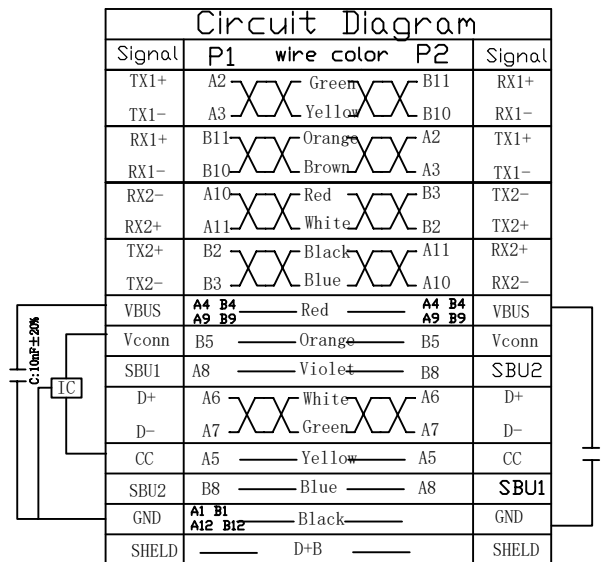
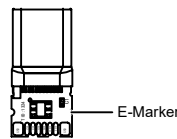
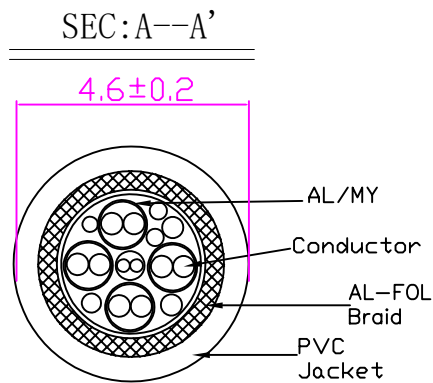
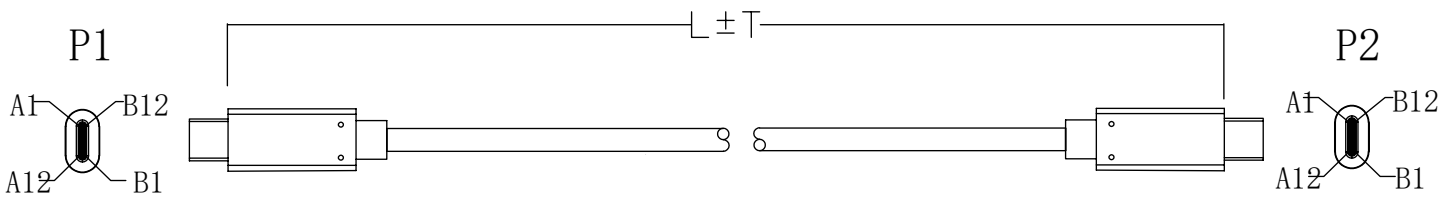
- USB 3.1 offering speeds of up to 10 Gbps
- PVC sheath offering excellent durability and protection
- Gold plated connectors offering a reliable connection
- Suitable for a wide range of applications



Specification

Cable Design	Round
Connector A	USB-C Plug
Connector B	USB-C Plug
Cross-Section AWG	32;22 AWG
External Material	PVC
Jacket Colour	White
Length	1 m
USB Type	USB 3.1
Plating Material	Shelf - Gold, Pin - Gold
Outside Diameter	4.6 mm
Insulation Resistance	300 VDC - 10 MOhm
Conductor Resistance	5 Ohm

Drawing



Art. Nr.
RND 765-00303