

USB-A to USB-C Cable

Features

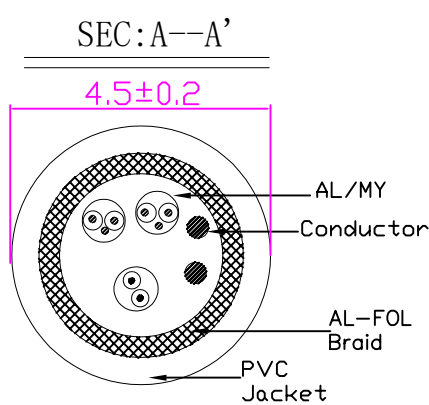
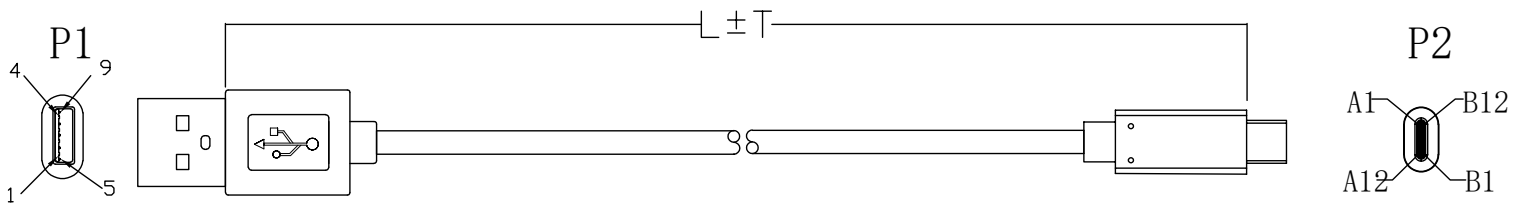
- USB 3.0 offering speeds of up to 4.8 Gbit/s
- PVC sheath offering excellent durability and protection
- Nickel connectors offering a reliable connection
- Suitable for a wide range of applications



Specification

Cable Design	Round
Connector A	USB-A Plug
Connector B	USB-C Plug
Cross-Section AWG	32;23 AWG
External Material	PVC
Jacket Colour	Black
Length	1.5 m
USB Type	USB 3.0
Plating Material	Shelf - Nickel, Pin - Gold
Outside Diameter	4.5 mm
Insulation Resistance	300 VDC - 10 MOhm
Conductor Resistance	5 Ohm

Drawing



PIN ASSIGNMENT

P1 USB3.0	P2 TYPE-C
1	A4 B4 A9 B9
2	A7
3	A6
4	A1 B1 A12 B12
5	A3
6	A2
8	B10
9	B11
7	A1 B1 A12 B12
SHIELD	SHIELD

Art. Nr.
RND 765-00306