



RS stock numbers : 228-1964, 288-9338, 725-9937



RSF10 Series

High level switch for boiling water



- **Pivot out of liquid**
- **High level switch position**
- **Many WRAS (approved for use in hot & cold water) and NSF approved variants**
- **Many variants are UL recognised components File No. E171218**
- **Flying lead or M12 connector**

| Technical Specification | RSF14 | RSF18 | RSF16 |
|-------------------------|--------------------------------|------------------------------|---------------------------------|
| Material | Polypropylene WRAS approved | Polypropylene UL approved | Polyphenylene Sulphide (PPS) |
| Colour | Opaque | White | Grey |
| Temp. Range °C | -20 / +100 | -20 / +100 | -10 / +120 * |
| °F | -4 / +212 | -4 / +212 | +14 / +248 * |
| Min. Fluid SG | 0.70 | 0.80 | 0.75 |
| Must close level (SG=1) | 39mm | 39mm | 33mm |
| Must open level (SG=1) | 24mm | 24mm | 22mm |

* Maximum temperature requires ETFE cable to be specified.

| Electrical Specification | 25W (Y code) | 100W (H code) |
|----------------------------|--------------|---------------|
| Contact Form | N/C (N/O) | N/C (N/O) |
| Switching Power Max VA | 25 | 100 |
| Switching Voltage AC Max V | 240 | 300 |
| Switching Voltage DC Max V | 120 | 300 |
| Switching Current Max A | 0.6 | 1 |

All ratings are for resistive load only.

The RSF10 series drop float has been designed to eliminate problems associated with limescale build up around the pivot point of a conventional float switch. It is also suitable in more viscous liquids, that might affect the pivot action of a standard float type. This particular series is primarily for applications where a high level condition has to be monitored.

The drop float actuator allows the switch housing and float pivots to be located above the surface of the liquid and provides a normally closed switch contact, opening as the liquid level rises. They are manufactured in a range of materials, with a choice of gasket material, to suit most commonly used liquids. Typical applications include wall kettles and hot vending machines.

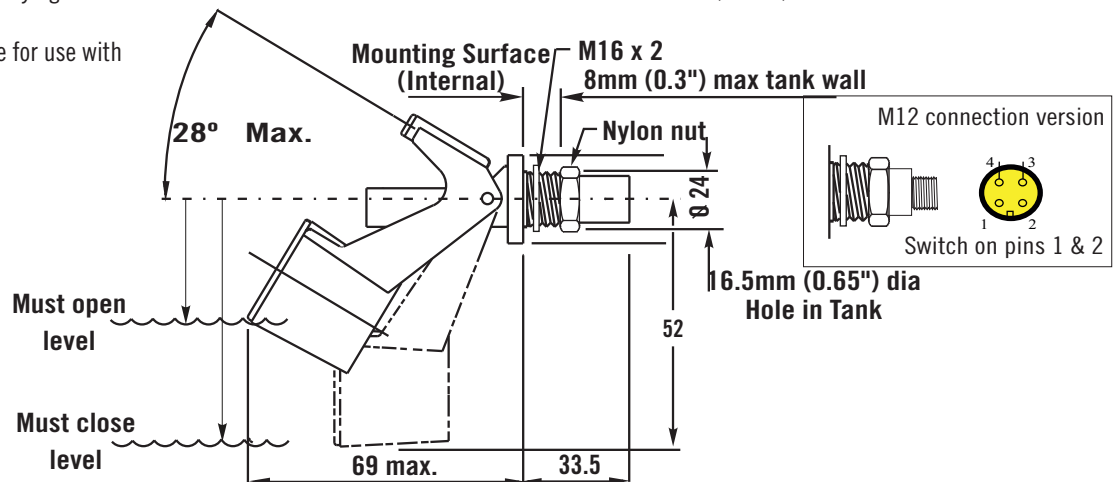
Versions available with either flying leads or M12 circular connector. There are cable sets available for use with M12 connector versions.

| RS Stock No. | Standard Parts | Material | Approvals | Max Power | Leadouts | Gasket |
|--------------|----------------|----------|----------------|-----------|--------------------|---------|
| 228-1964 | RSF14H100RF | PP | WRAS & NSF | 100VA | 1 metre PVC 16/0.2 | Nitrile |
| | RSF14Y100RF | PP | WRAS & NSF | 25VA | 1 metre PVC 16/0.2 | Nitrile |
| | RSF16H050TG | PPS | WRAS, UL & NSF | 100VA | 50cm ETFE 19/0.2 | Viton |
| 228-9338 | RSF16H100RF | PPS | WRAS, UL & NSF | 100VA | 1 metre PVC 16/0.2 | Nitrile |
| | RSF16Y050TG | PPS | WRAS, UL & NSF | 25VA | 50cm ETFE 19/0.2 | Viton |
| | RSF16Y100RF | PPS | WRAS, UL & NSF | 25VA | 1 metre PVC 16/0.2 | Nitrile |
| 725-9937 | RSF18H100RF | PP (UL) | UL | 100VA | 1 metre PVC 16/0.2 | Nitrile |
| | RSF18Y100RF | PP (UL) | UL | 25VA | 1 metre PVC 16/0.2 | Nitrile |
| | RSF14HFP | PP | WRAS & NSF | 100VA | M12 connector | Nitrile |
| | RSF14YFP | PP | WRAS & NSF | 25VA | M12 connector | Nitrile |
| | RSF16HFP | PPS | WRAS, UL & NSF | 100VA | M12 connector | Nitrile |
| | RSF16YFP | PPS | WRAS, UL & NSF | 25VA | M12 connector | Nitrile |
| | RSF18HFP | PP (UL) | UL | 100VA | M12 connector | Nitrile |
| | RSF18YFP | PP (UL) | UL | 25VA | M12 connector | Nitrile |

Custom versions can be made for particular applications. Please contact Cynergy3 with your requirements.

Mechanical Dimensions

All dimensions are in millimetres (inches)



Cynergy3 Components Ltd.
7 Cobham Road
Ferndown Industrial Estate
Wimborne, Dorset BH21 7PE
Telephone +44 (0) 1202 897969
Email: sales@cynergy3.com

ISO9001 CERTIFIED

RSF10 RS (2017)



Made in the UK

(35.0 for M12 connection version)

www.cynergy3.com