

Camlocks

Features

- Lightweight robust design
- Made of die-cast zinc
- Panel to tongue depth of 26 mm

RS PRO Die Cabinet Lock, 26 mm Panel to Tongue

RS Stock No: 192-9644



RS PRO Professionally Approved Products bring to you professional quality parts across all product categories. Our product range has been tested by engineers and provides a comparable quality to the leading brands without paying a premium price.

Camlocks

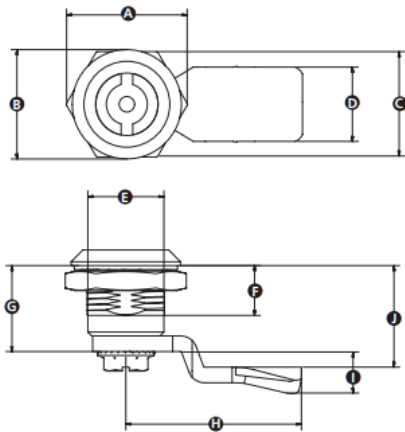
Product Description

The cam lock is plated with chrome to ensure it doesn't rust or tarnish in damp environments. It's also IP54 (Ingress Protection) rated, so it can withstand splashes of water or dust, making it suitable for use outdoors. Opening or closing the lock requires a 90-degree turn. This means you're less likely to leave it accidentally unlocked and also makes it easy to check from a distance whether it's properly secured.

It meets Restriction of Hazardous Substances (RoHS) standards, which means it contains only minimal amounts of any harmful materials. Locks of this type are frequently installed on small doors enclosing electrical enclosures, filing cabinets and storage lockers.

General Specifications

Panel To Tongue Depth	26mm
Material	Die Cast
Finish	Zinc



Part no.	A	B	C	D	E	F	G	H	I	J	Key type
1929644	31	28	27	19	20	13	22	45	11	26	Double bit key