

# Ferrite Sleeves

## FEATURES

- Unique plastic case ensures simple, convenient installation
- No adverse effect on signal quality
- Excellent absorption of high-frequency EMC
- High-quality source materials
- Smooth surface
- Small tolerance

## RS PRO

# Ferrite Sleeves

RS Stock No.: 2378789



RS Professionally Approved Products bring to you professional quality parts across all product categories. Our product range has been tested by engineers and provides a comparable quality to the leading brands without paying a premium price.

## Ferrite Sleeves

### Product Description

- *The product feature cable pinch protection, and are easy to open for measurement purposes. A prefixing cable system ensures a simple cable assembly process.*
- *Suitable applications for these ferrite sleeves include internal and external computer data and power cables. Easy to remove, and featuring straightforward installation, these ferrites are ideal for cables that are difficult to access.*
- *These split ferrite cores reduce the electromagnetic interference from being induced in or radiated from data and power cables. High attenuation ratings are achieved with the housing design and the special process steps during the ferrite manufacture. Typical applications for these split ferrite cores include data or power lines used in computer technology, terminals, industrial controllers, medical engineering and office machines.*

### General Specifications

<b>Specifications</b>	SCUF-2378789
<b>Application</b>	General Application
<b>Material</b>	PA66
<b>Impedance at 25 MHz</b>	$\geq 60 \Omega$ (Winding: 0.65 $\Phi$ X 100MM 0.5TS)
<b>Key</b>	NO
<b>Openable</b>	Yes
<b>Impedance at 100 MHz</b>	$\geq 140 \Omega$ (Winding: 0.65 $\Phi$ X 100MM 0.5TS)
<b>Outer Dimensions</b>	30 x 16.5 x 16.5mm
<b>Aperture Diameter</b>	7mm
<b>Number of Apertures</b>	1
<b>Outer Depth</b>	30mm
<b>Outer Height</b>	16.5mm

# Ferrite Sleeves

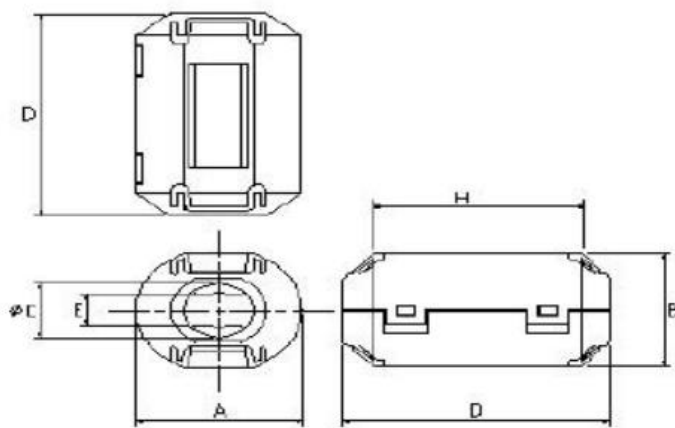
<b>Outer Width</b>	16.5mm
--------------------	--------

## Approvals

<b>Declarations</b>	ROHS, REACH
---------------------	-------------

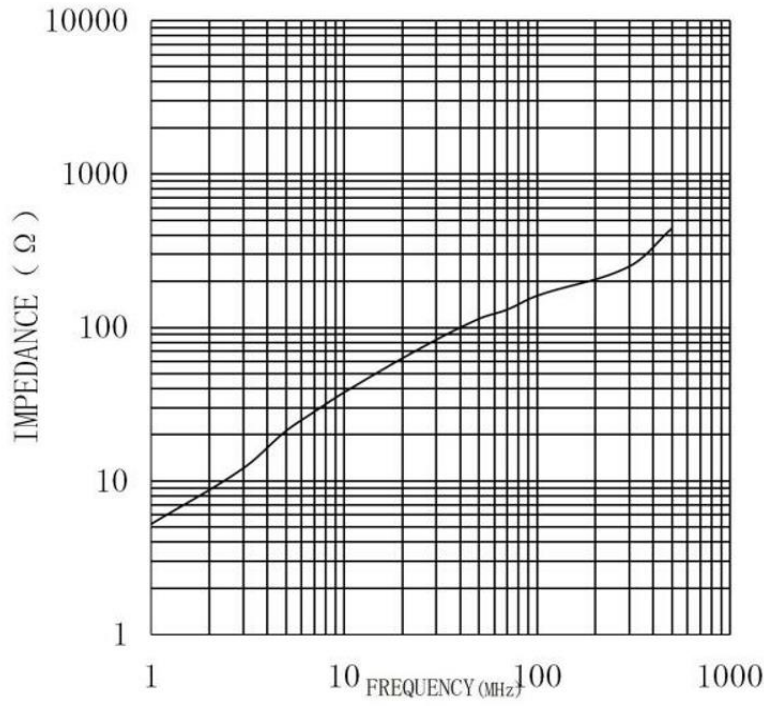
## Dimension and Wiring

### 1、 DIMENSION (Unit:MM)

A:  $16.5 \pm 1.0\text{MM}$ B:  $15 \pm 1.0\text{MM}$ C:  $7 \pm 0.8\text{MM}$ D:  $30 \pm 1.0\text{MM}$ E:  $23 \pm 1.0\text{MM}$ 

### 2、 IMPEDANCE V. S FREQUENCY

# Ferrite Sleeves



f	z
1	5.2
3	12
5	21
7	28
10	37.5
25	73
50	113.2
70	130
100	160
300	248
500	439