

FEATURES

- 2.1/4" BSP Thread
- Incoly 800 Elements
- IP65 Rated Cover
- Twin Safety Thermostats for Control & High Limit
- 2 Cable Glands

RS PRO Immersion Heater

RS Stock No.: 2692648



RS Professionally Approved Products bring to you professional quality parts across all product categories. Our product range has been tested by engineers and provides a comparable quality to the leading brands without paying a premium price.

Product Description

- Thermco UK 12kW 2.1/4" BSP Incoloy Immersion Heater
- IP65 Rated Head, Twin Safety Thermostats
- Used for Stored Water Heaters with Single or Three Phase supply
- Not Suitable for open air Water Heaters, Immersion Heaters must be fully submerged in water at all times when powered on

General Specifications

Product Type	Single / three phase immersion heater
Power	12 kW @ 240 / 415V
Sheath Material	Incoloy 800
Thread	ISO 228 G2 1/4 (2-1/4" BSP Parallel)
Immersed Length	600 mm
Cover	IP 65 Sealed Cover
Control Temperature Range	30°C to 80°C
Safety Limit Temperature	10°C to 80°C
Watts Density	15.63 W/cm ²

Electrical Specifications

Supply Voltage	415 V three Phase, 230 V Single Phase
Insulation	Class I

Mechanical Specifications

Mounting Method	Threaded
Octagon Size	87 mm A/F

Operation Environment Specifications

Ambient Temperature	+50°C maximum
---------------------	---------------

Protection Category

IP Rating	IP65
-----------	------

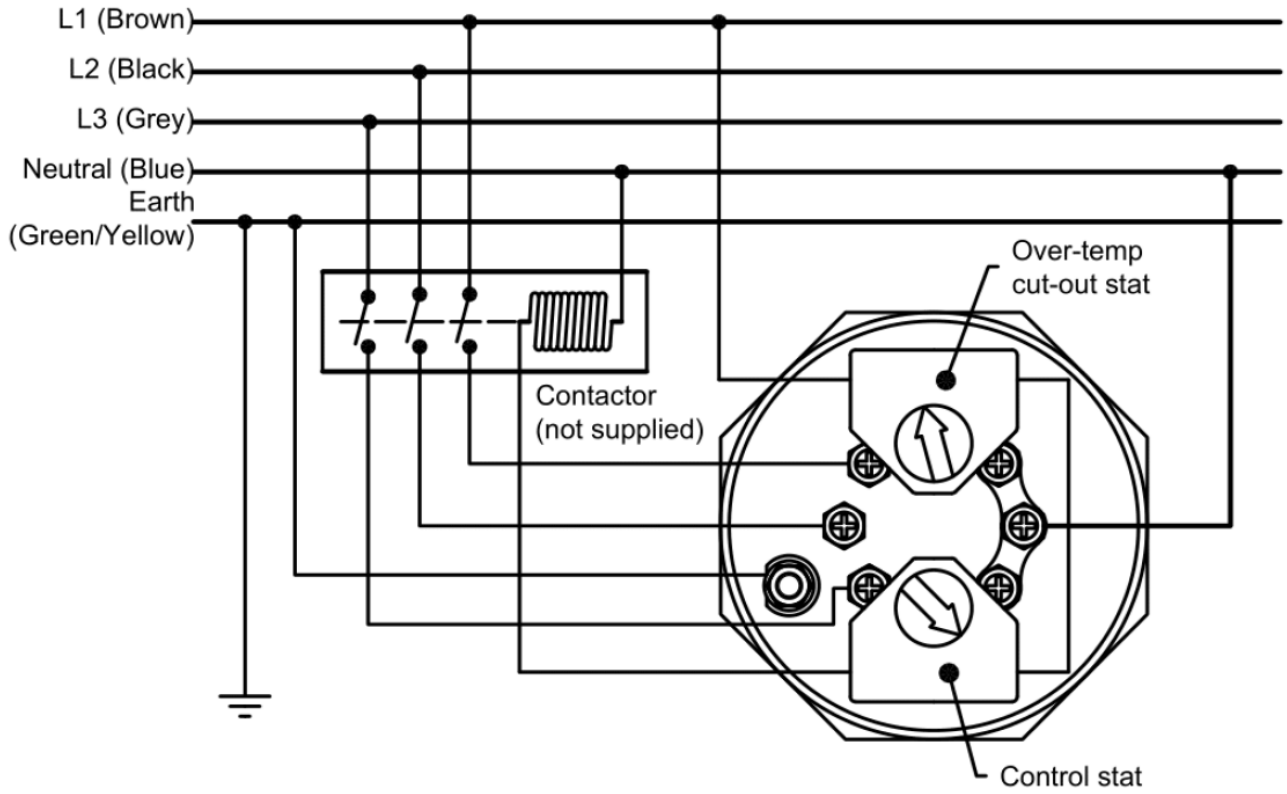
Approvals

Compliance/Certifications	CE & UKCA
Relevant Standards	BS EN 60335-1, BS EN 60335-2-73 & BS EN 60730-1 EN 60730-2-9

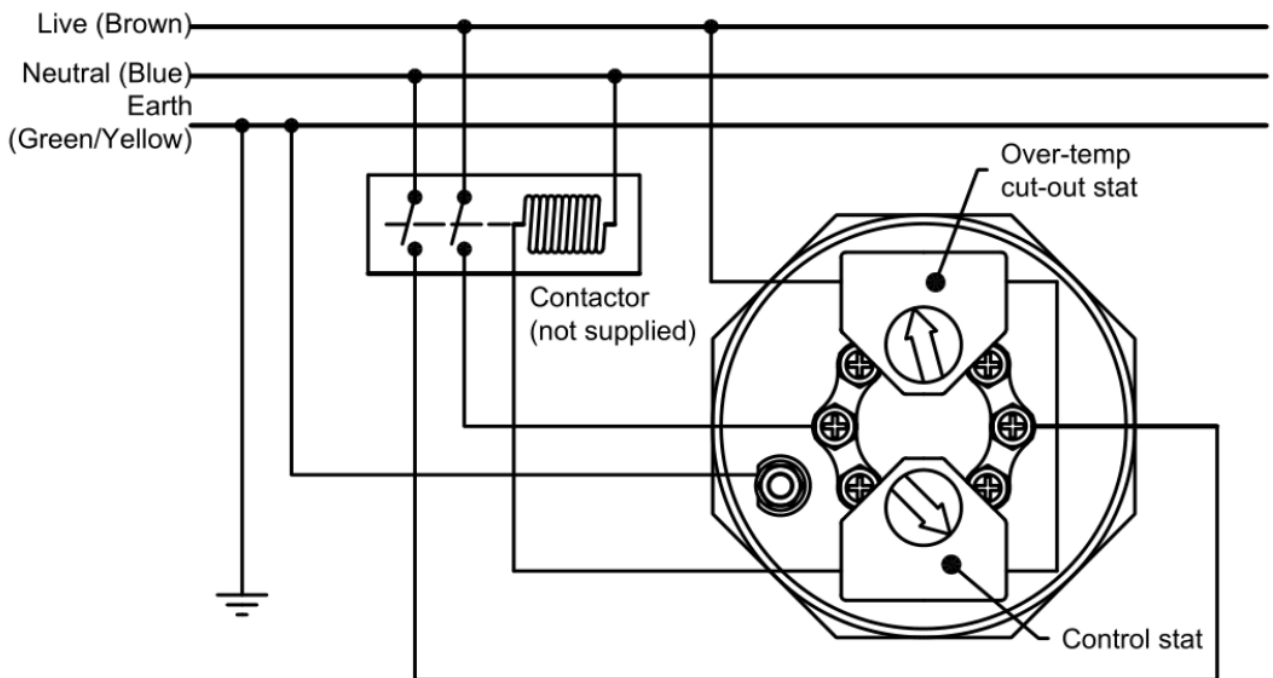
Product Range

Product Range	Loading (kW@240V)	Phases	Thread size	Immersed length (inches)	Immersed length (mm)
2692638	3	1 or 3	2 1/4"	11	270
2692640	3	1 or 3	2 1/4"	30	760
2692641	3.8	1 or 3	2 1/4"	11	270
2692642	3.8	1 or 3	2 1/4"	16	400
2692643	6	1 or 3	2 1/4"	16	400
2692644	6	1 or 3	2 1/4"	30	760
2692646	9	1 or 3	2 1/4"	14	350
2692647	9	1 or 3	2 1/4"	27	680
2692648	12	1 or 3	2 1/4"	25	600
2687315	6	1 or 3	1 3/4"	16	400
2687317	9	1 or 3	1 3/4"	16	400
2687316	6	1 or 3	2"	16	400
2687318	9	1 or 3	2"	16	400
2687319	9	1 or 3	2 1/4"	16	400
2687320	12	1 or 3	2 1/4"	16	400

3-Phase Connection



Single Phase Connection



3 Element/Single Phase Connection