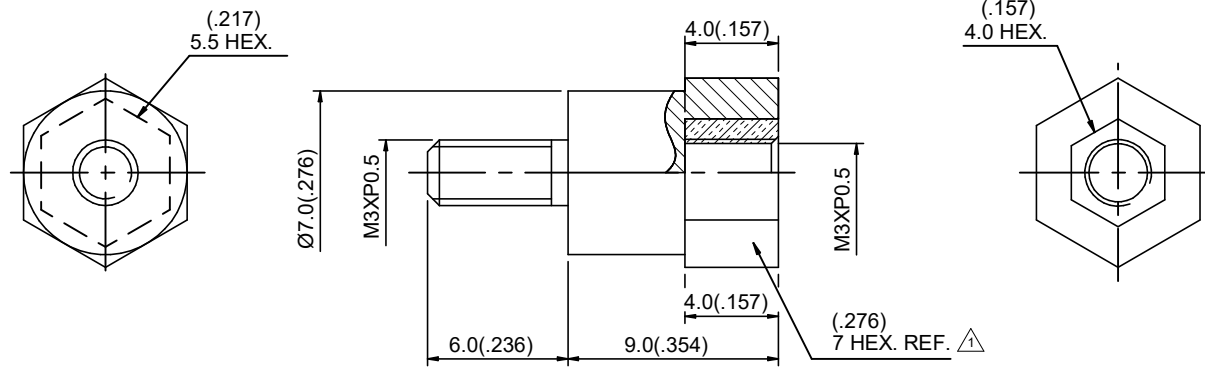
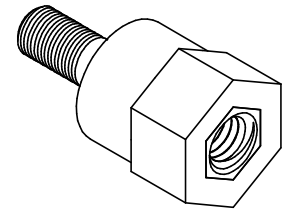


NO.	DESCRIPTION	DATE
△	7.0 HEX. → 7 HEX. REF.	12.27.23'
△	N140-3C22 → NYLON 6	02.07.25'



P/N: 6539504

APPROVED by _____ DATE: _____

DESCRIPTION		SPACER	
製圖	DRAWN Jenny	TOLERANCE .X ±0.2	品名 40950000000025 \ROHS COMPLIANT
檢圖	CHECK Jenny	.XX ±0.1	單位 mm(in)
認定	APPROVAL Jenny	.XXX ±0.05	比例 SCALE 4:1
日期	02.25.20'	版次	A-2
DWG.NO.		95-0086	

NO	DESCRIPTION	MATERIAL	Q'TY	FINISH
3	NUT	BRASS	1	NICKEL
2	INSULATION	NYLON 6	1	NONE
1	SCREW	BRASS	1	NICKEL

