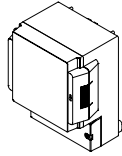
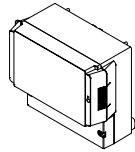


Enclosure sizes

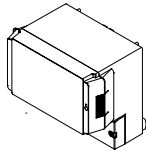
RCP(M) 1300 / RCP 130 F



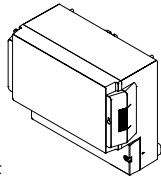
RCP(M) 1600 / RCP 160 F



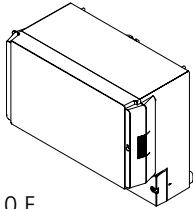
RCP(M) 1700 / RCP 170 F



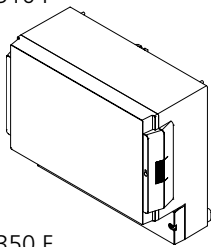
RCP(M) 2000 / RCP 200 F



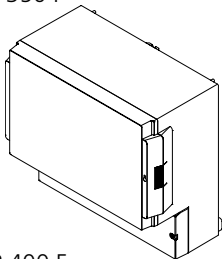
RCP(M) 2500 / RCP 250 F



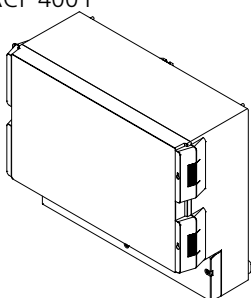
RCP(M) 3100 / RCP 310 F



RCP(M) 3500 / RCP 350 F

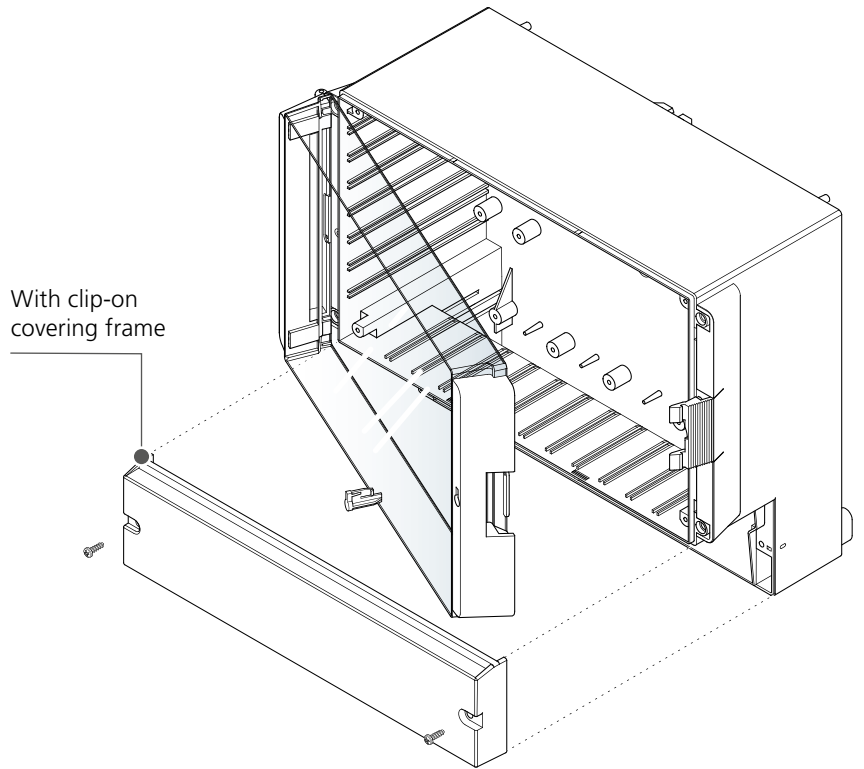


RCP(M) 4000 / RCP 400 F

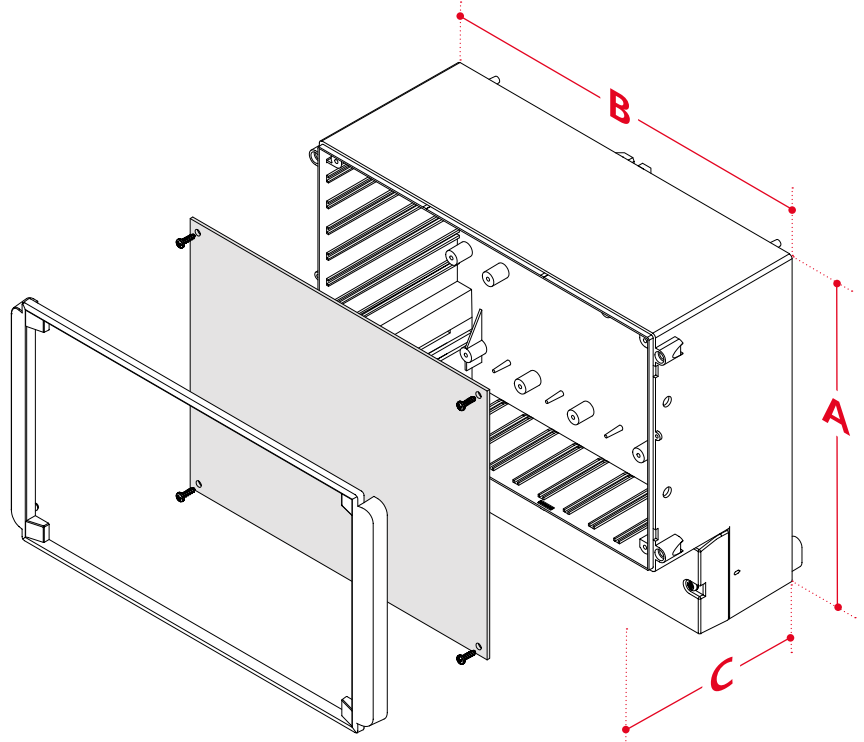


Design types

With crystal-clear lid hinged and with snap lock, IP65



With clip-on covering frame

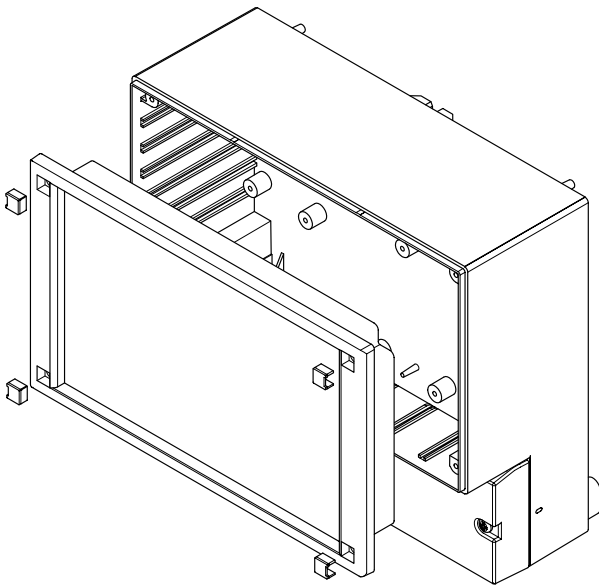


RegloCard-Plus Combifront

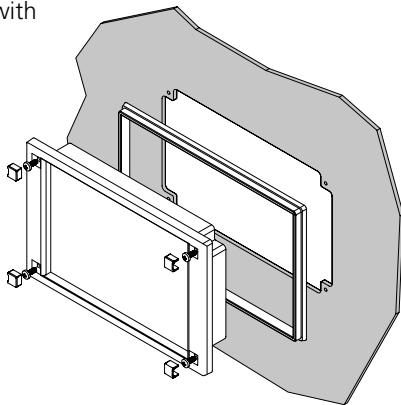


A Phoenix Mecano Company

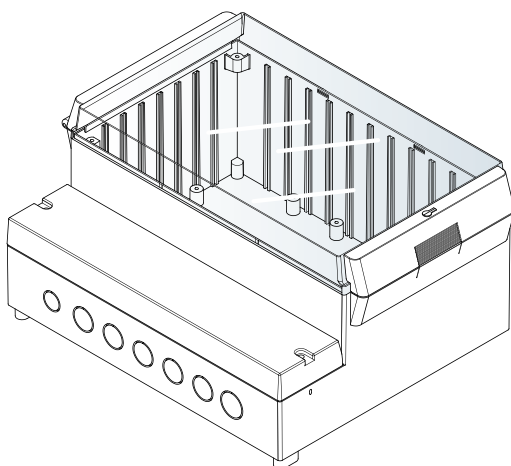
With screw-on front lid for membrane keypads,
max. IP65



Installation area with
continuous seal



Available with metric
or PG pre-punchings in the
terminal compartment



Dimensions

Model	A	B	C
With crystal-clear lid hinged and with snap lock, IP65			
RCP(M) 1300	131	186	103
RCP(M) 1600	166	161	93
RCP(M) 1700	166	161	121
RCP(M) 2000	213	185	104.5
RCP(M) 2500	257	217	132.5
RCP(M) 3100	296	261	132.5
RCP(M) 3500	296	281	158
RCP(M) 4000	363.4	318.6	150

With clip-on covering frame

RCP(M) 130	131	186	81
RCP(M) 160	166	161	71
RCP(M) 170	166	161	99
RCP(M) 200	213	185	82.5
RCP(M) 250	257	217	110.5
RCP(M) 310	296	261	110.5
RCP(M) 350	296	281	136
RCP(M) 400	363.4	318.6	128.5

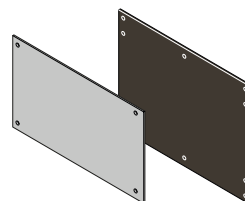
With screw-on front lid for membrane keypads, max. IP65

RCP(M) 130 F	131	186	82.5
RCP(M) 160 F	166	161	72.5
RCP(M) 170 F	166	161	100.5
RCP(M) 200 F	213	185	84
RCP(M) 250 F	257	217	112
RCP(M) 310 F	296	261	112
RCP(M) 350 F	296	281	137.5
RCP(M) 400 F	363.4	318.6	130.5

Installation area with continuous seal up to IP54

CF 130	131	131	9.5
CF 160	166	106	9.5
CF 200	213	125	9.5
CF 250	257	157	9.5
CF 310	296	196	9.5
CF 400	363.6	233.6	11.5

Accessories



Front and mounting panels in
different versions



Wall brackets
screw-on at rear



Cylinder lock / hand lock for sub-
sequent mounting