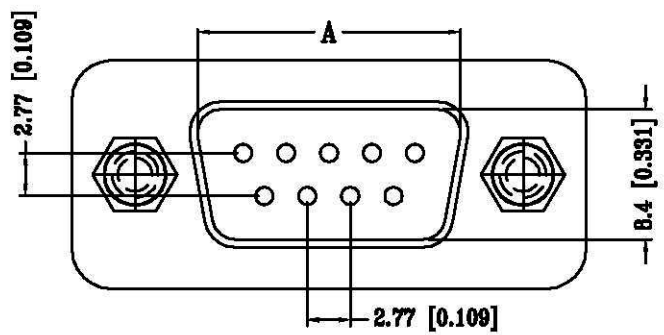
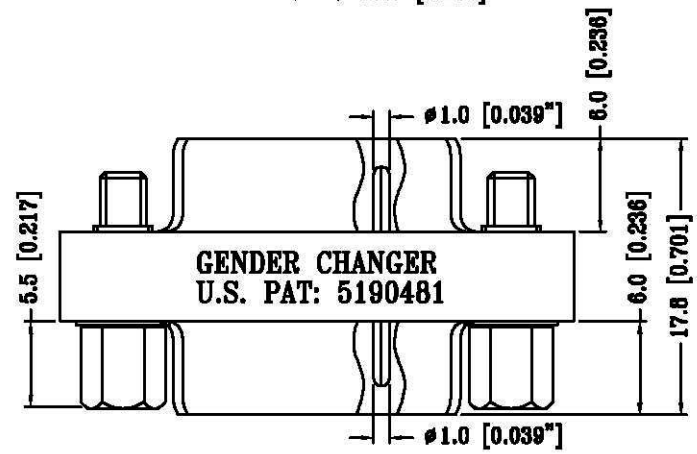
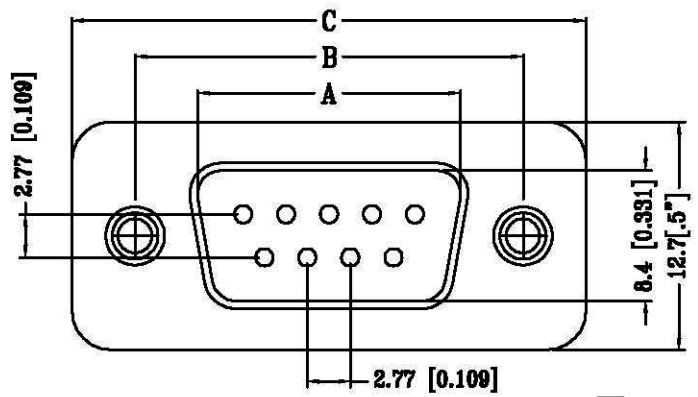


REV.	ECN NO. / DESCRIPTION	DATE



### MATERIAL

INSULATOR: BLUE PBT UL94 V-0 RATED  
 CONTACTS: BRASS  
 SHELL: STEEL

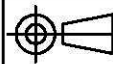
### FINISH

CONTACTS: GOLD FLASH OVER NICKEL  
 SHELL: NICKEL PLATED

### ELECTRICAL CHARACTERISTICS

CONTACT RESISTANCE: 25m $\Omega$  MAX  
 CURRENT RATING: 5 AMPERES  
 INSULATION RESISTANCE: 5000M $\Omega$  MIN  
 DIELECTRIC WITHSTANDING VOLTAGE: 1000VAC 60SEC

Circuits	A	B	C
9	16.9(.665")	25.0(.984")	31.2(1.22")

GENERAL TOLERANCES UNLESS SPECIFIED		Rotronic Co., Ltd.			
X $\pm 0.30$	X° $\pm 3^\circ$				
XX $\pm 0.15$	XX° $\pm 1.5^\circ$	Item No.: 12.03.2025			
XXX $\pm$	XXX° $\pm$	ROLINE Mini Gender Changer, DB9M-M			
SIZE	UNITS		SHEET	SCALE	REV
A4	MM [INCH]		1 / 1	1:1	1