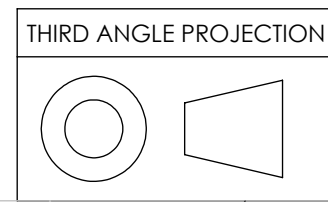
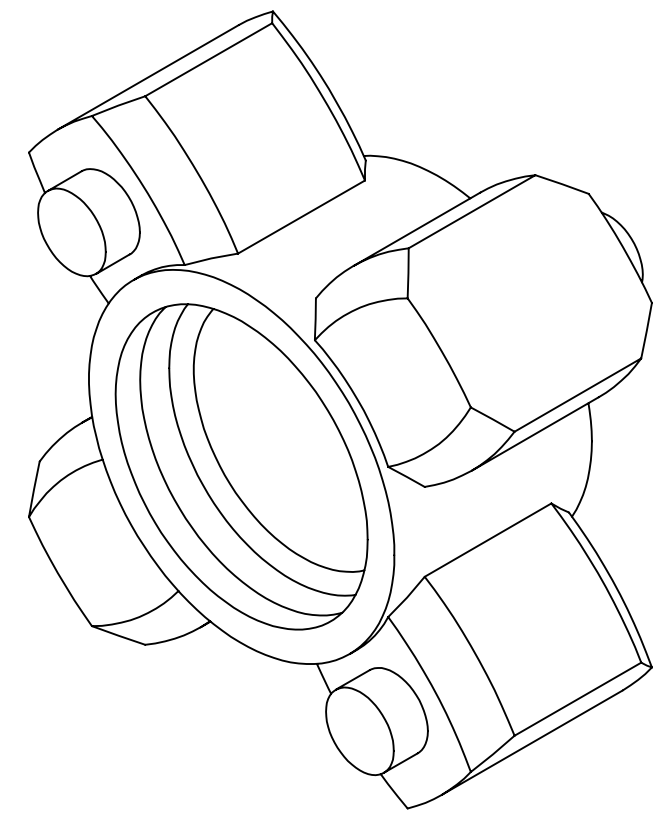
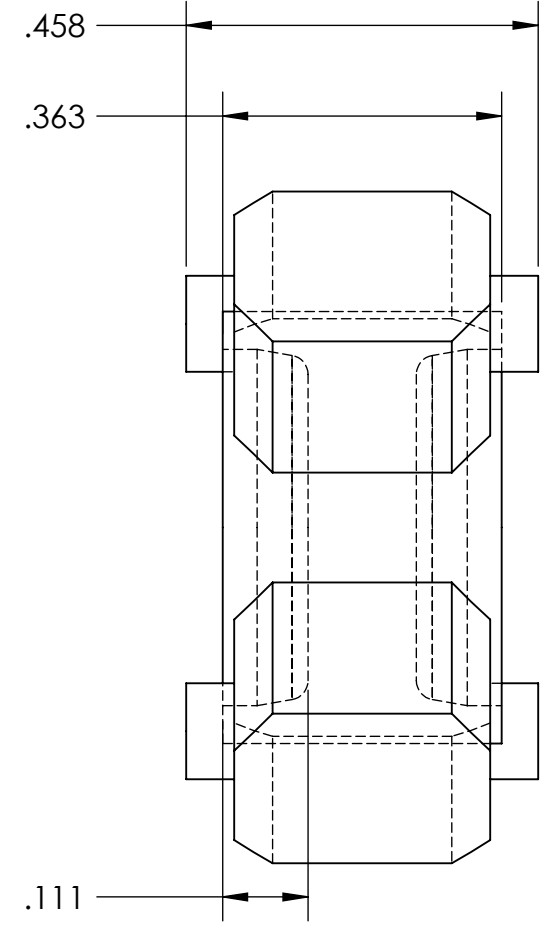
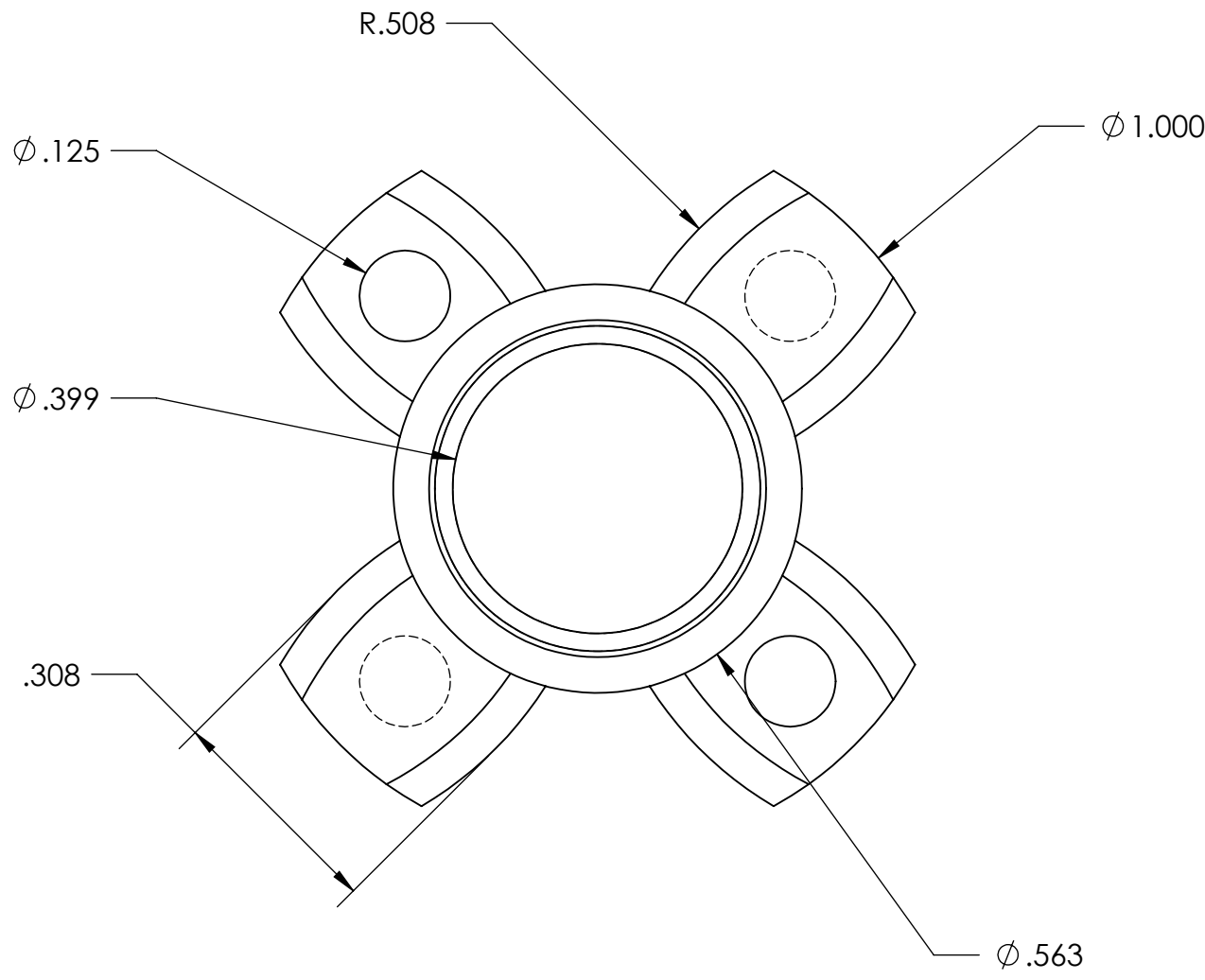



THE INFORMATION CONTAINED IN THIS DRAWING IS THE SOLE PROPERTY OF RULAND MANUFACTURING CO, INC ANY REPRODUCTION IN PART OR WHOLE WITHOUT THE WRITTEN PERMISSION OF RULAND MANUFACTURING CO, INC IS PROHIBITED.

REVISIONS			
REV.	DESCRIPTION	DATE	APPROVED



UNLESS OTHERWISE SPECIFIED BREAK ALL EDGES .010 x 45°	
NEXT ASSY	USED ON
APPLICATION	

ITEM NO.	PART OR IDENTIFYING NO.	NOMENCLATURE OR DESCRIPTION	MATERIAL SPECIFICATION	QTY REQD
PARTS LIST				
UNLESS OTHERWISE SPECIFIED DIMENSIONS ARE IN INCHES TOLERANCES ARE:		CAD GENERATED DRAWING, DO NOT MANUALLY UPDATE	 <b>Carefully Made Shaft Collars and Couplings</b> 6 Hayes Memorial Drive Marlborough, MA 01752 <a href="http://www.ruland.com">www.ruland.com</a>	
FRACTIONS	DECIMALS			
$\pm 1/64"$	$.XX \pm .01$	$\pm 0.5$	APPROVALS	DATE
	$.XXX \pm .005$	$.XXXX \pm .0010$	DRAWN SEB	9/4/2008
MATERIAL		RESP ENG SEB	1/10/00	
FINISH		MFG ENG		
DO NOT SCALE DRAWING		QUAL ENG		
SIZE B	DWG. NO. JD16-25	SCALE 4:1		REV.
SHEET 1 OF 1		CAD FILE:		