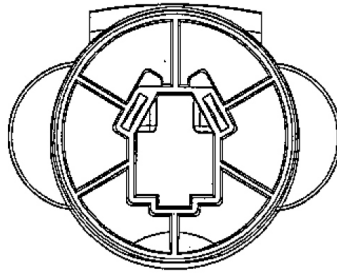
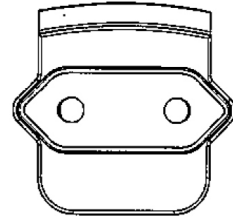


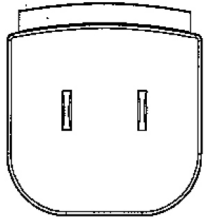
UK



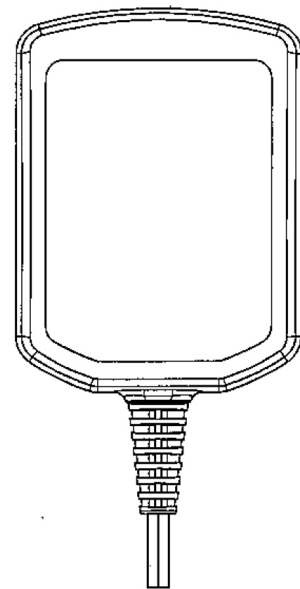
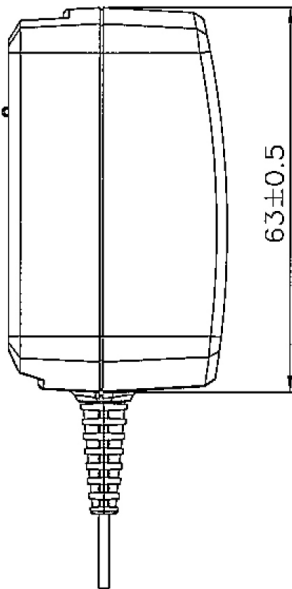
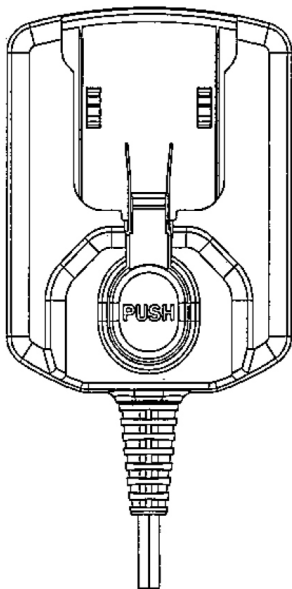
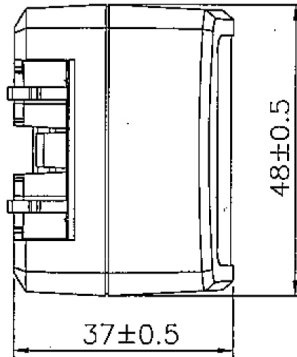
SAA



VDE

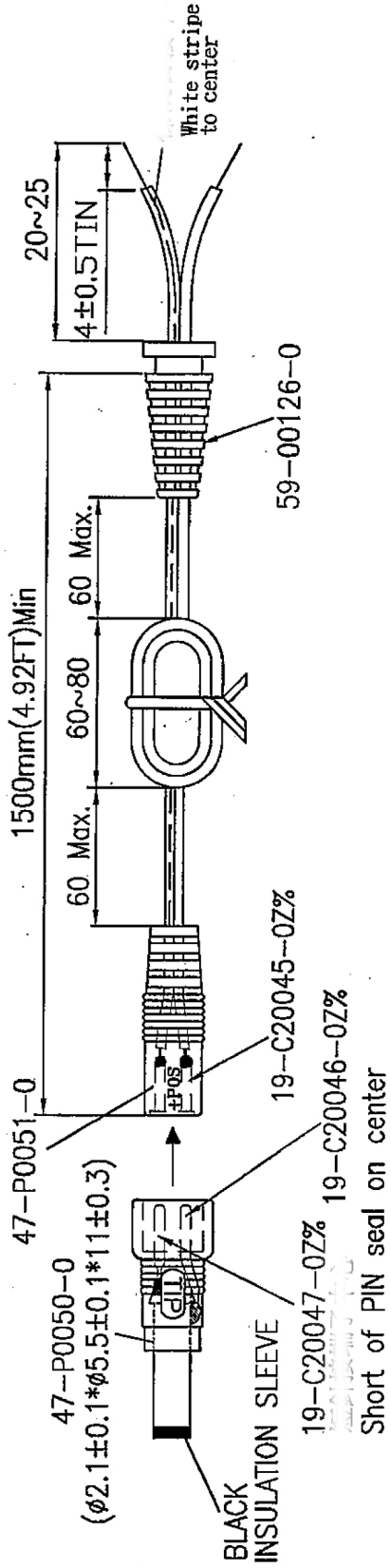


UL



SA106K-12
UNIT : mm

Part no 47-P0050-0 should be tubed in 47-P0051-0
 * Note direction (TIP should be aimed at "+")



UL 2468 AWG22*2C

REV.	DESCRIPTION				DATE/REVISOR				DC CORD			
	CHECK	DESIGN	APPROVED	DIMENSION	TOLERANCE	Q'TY	UNIT	MODEL	MATERIAL	TREATMENT	DWG. NO.	
				0 ~ 5	±0.1		mm		P.V.C		S89-CL04XX-0Z%	
				5 ~ 60	±0.2		SCALE					
				60 ~ 200	±0.3		ORIG. DATE					
				200 ~ 350	±0.6		MANUFACTORY					
							2015.09.09					