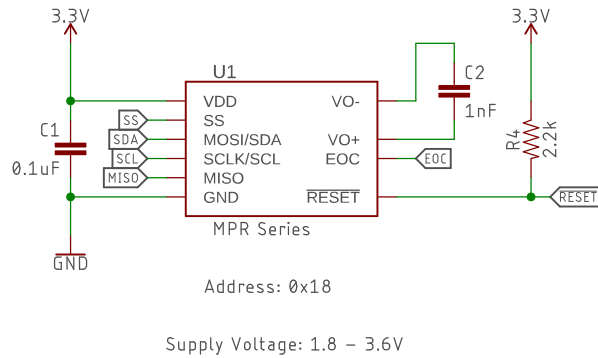
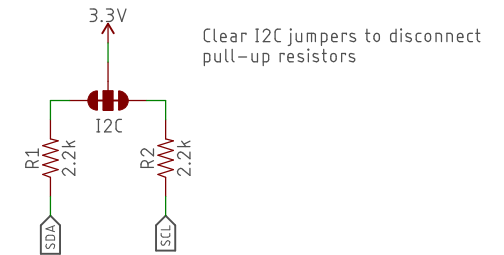


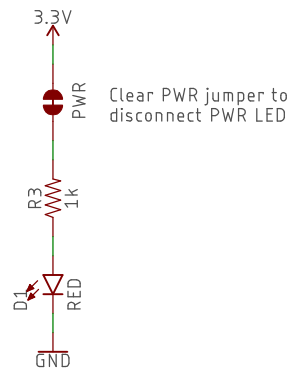
## MPRL Micro Pressure Sensor



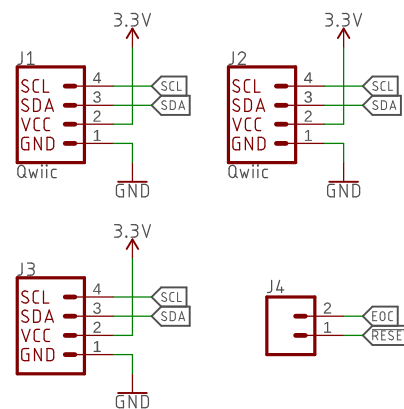
## I2C Pull-up



## Power LED



## Connectors



**sparkfun**

**open hardware**  
**QWIC**

Released under the Creative Commons  
Attribution Share-Alike 4.0 License  
<https://creativecommons.org/licenses/by-sa/4.0/>



TITLE: SparkFun\_MicroPressure\_Sensor

Design by: Alex Wende

REV:  
V10

Date: 4/10/2020 10:07 AM

Sheet: 1/1