

Category 6 24 port coupler panel



Category 6 24 port coupler panel (SFK24pt)

High performance Category 6 through coupler panel offering exceptional value for money.

Features

- Mounts to any 19 inch rack, cabinet or wall bracket
- Fixed rear cable support
- Panel includes: 24 x Category 6 couplers preassembled into metal keystone panel, 4 M6 black cage nut sets

Specifications

- Weight: 880g (approx.)
- Dimensions: 483 x 102.5 x 45mm (W x D x H)
- Colour
 - Front panel: Black
 - Rear panel: Silver
 - Category 6 couplers: Black

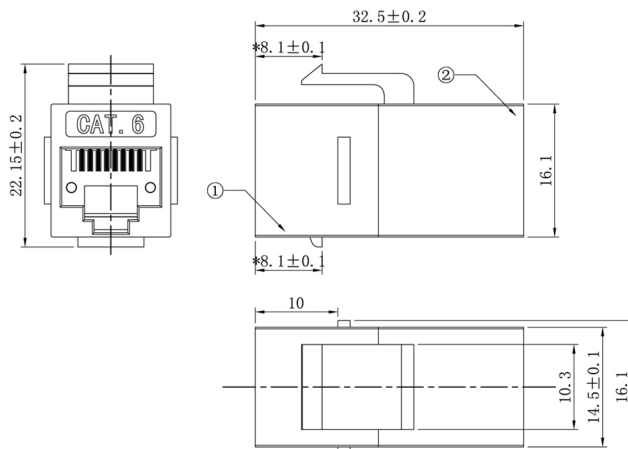
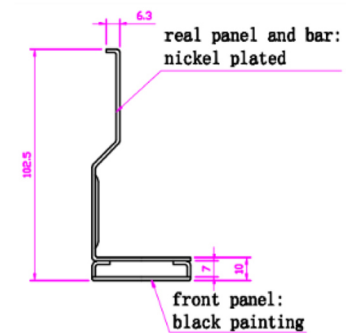
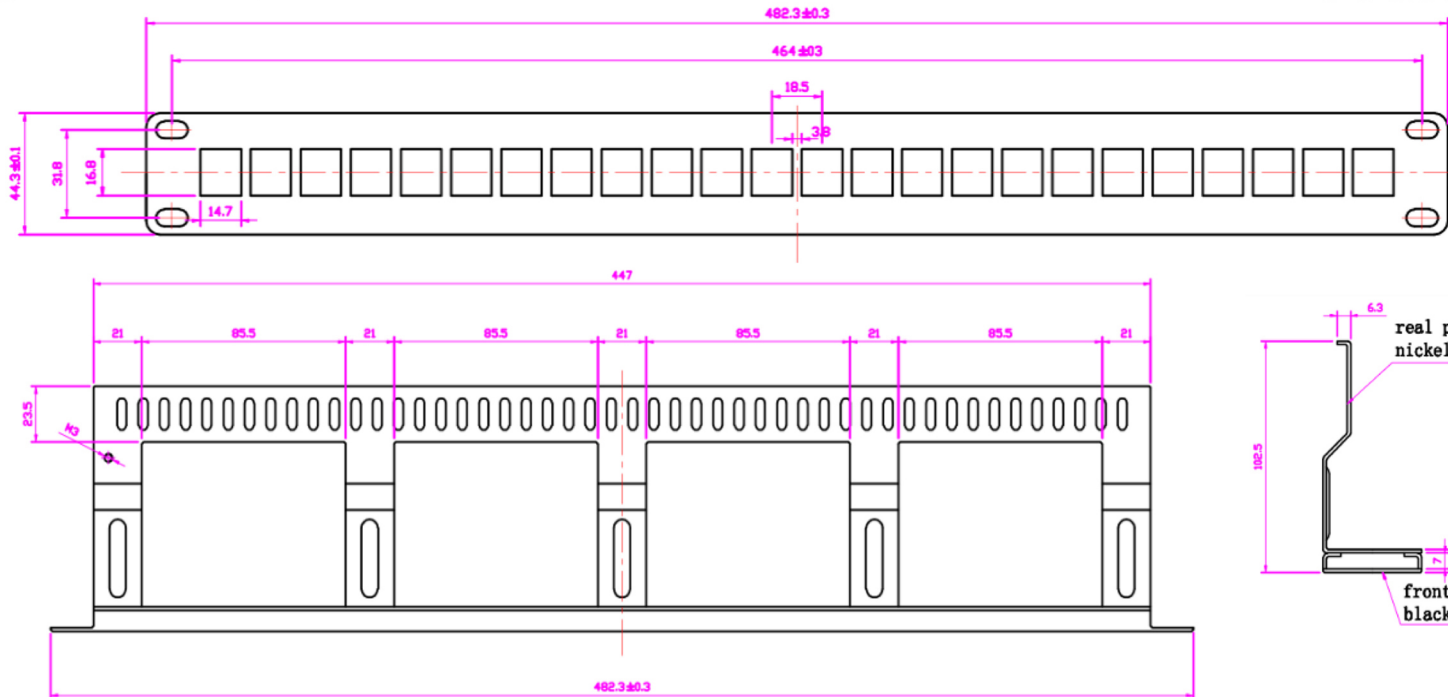
Materials:

- Panel front: Cold-rolled steel sheet, 1.5mm thickness, painted black
- Rear panel: Nickel plated
- Coupler shell: ABS UL 94V-2
- Contacts: Phosphor bronze with 50µ"/1.27µm gold plating

EAN: 5055386507754**Packaging:** Supplied pre-assembled in individual carton**Commodity code:** 85177090

ROHS Compliant

Code: SFK24pt



4sets of M6 black cage nuts included

Materials

- Panel front: Cold-rolled steel sheet, 1.5mm thickness, painted black
- Rear panel: Nickel plated
- Coupler shell: ABS
- Contacts: Phosphor bronze with 50µ"/1.27µm gold plating

Category 6 24 port coupler panel



Category 6 24 port coupler panel (SFK24pt2)

High performance Category 6 through coupler panel offering exceptional value for money.

Features

- Mounts to any 19 inch rack, cabinet or wall bracket
- Panel includes: 24 x Category 6 couplers preassembled into metal keystone panel, 4 M6 black cage nut sets

Specifications

- Weight: 639g (approx.)
- Dimensions: 483 x 33 x 45mm (W x D x H)
- Colour
 - Front panel: Black
 - Rear panel: Silver
 - Category 6 couplers: Black

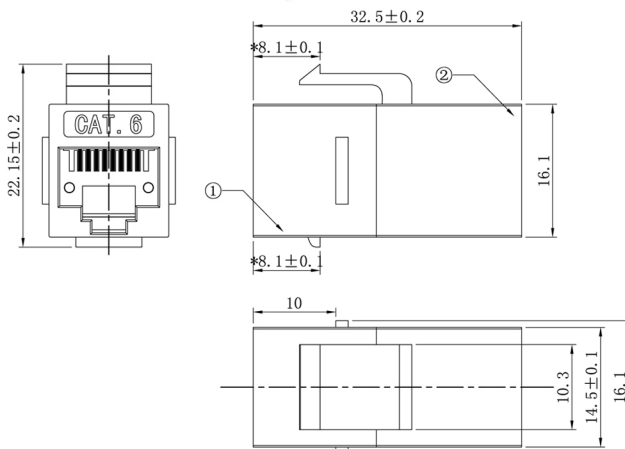
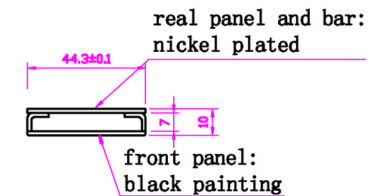
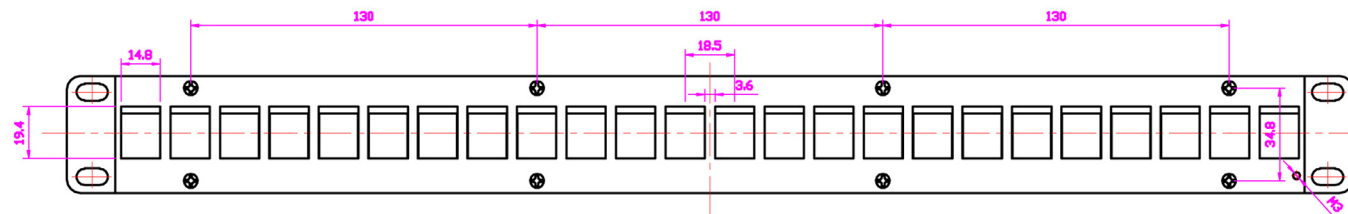
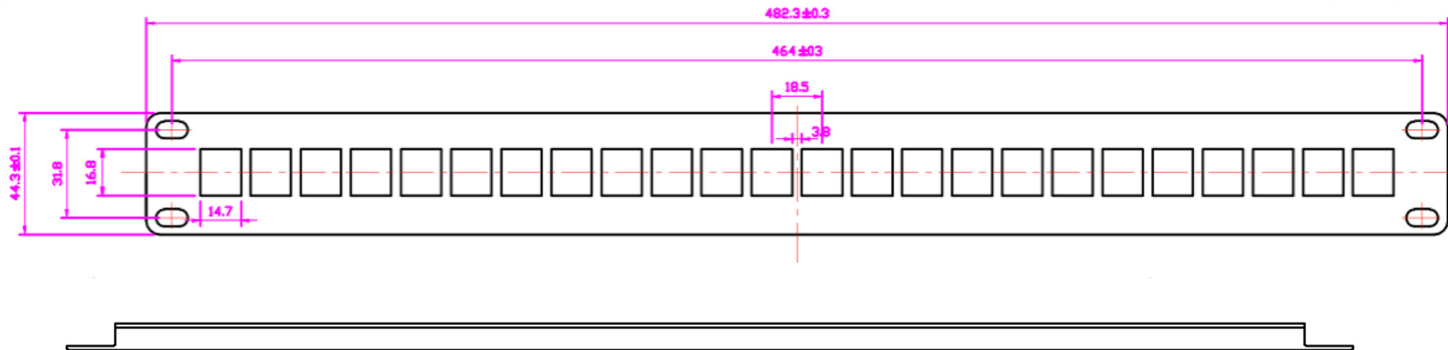
Materials:

- Panel front: Cold-rolled steel sheet, 1.5mm thickness, painted black
- Rear panel: Nickel plated
- Coupler shell: ABS UL 94V-2
- Contacts: Phosphor bronze with 50µ"/1.27µm gold plating

EAN: 5055386507761**Packaging:** Supplied pre-assembled in individual carton**Commodity code:** 85177090

ROHS Compliant

Code: SFK24pt2



4sets of M6 black cage nuts included

Materials:

- Panel front: Cold-rolled steel sheet, 1.5mm thickness, painted black
- Rear panel: Nickel plated
- Coupler shell: ABS
- Contacts: Phosphor bronze with 50µ"/1.27µm gold plating