

## XLR type Category 6A STP Black Fronted Socket:



### **XLR type Category 6A STP Black Fronted Socket (SGDpmbk)**

This die-cast, ruggedised XLR style STP socket is built to be used in a wide range of challenging environments. Using the industry standard, XLR latch-locking mechanism, it offers a secure connection that comfortably performs to Cat6A. Designed to be easily mounted into XLR style cut-outs, this high quality jack boasts tool-less “butterfly style” levers which enable quick and easy terminations.

#### **Features:**

- STP socket with dual 568 A/B wiring
- Compliant with:
  - IEEE standard for PoE+ and 4PPoE IEEE 802.3
  - Standard for high performance shielded 8 way connectors IEC 60603-7-51
  - Category 6A standard for Balanced Twisted-Pair Components TIA-568.2-D
  - Standard for generic premise cabling to Class EA/Cat 6A ISO/IEC 11801-1
- Fully shielded, die-cast body offers a durable, sturdy design with outstanding performance in eliminating alien cross-talk
- Industry standard XLR latch-locking mechanism
- Please note: Not suitable for use with 6p4c (RJ11 type) or 6p6c (RJ12 type) plugs
- Not compatible with Neutrik male connector NE8MC6-MO and NKE6S\* cables.

#### **Specifications:**

- Net weight (including primary packaging): 44g
- Dimensions: 26.18 x 31.18 x 41.38 mm approx.

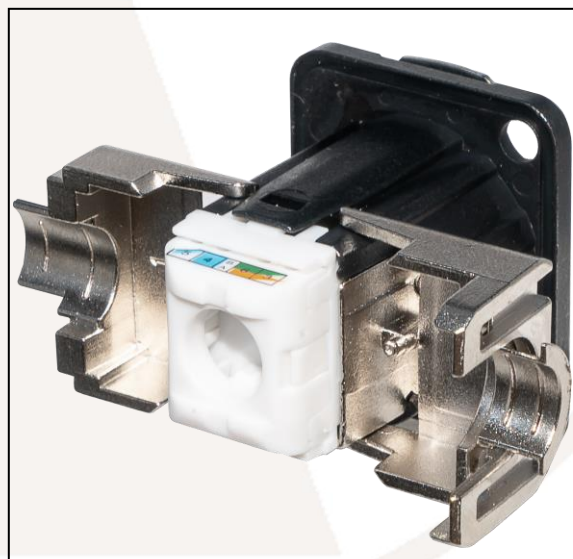
- Colour: Silver with Black front
- Materials:
  - Internal connector: Impact resistant, UV stabilised ABS+PC 94V0 plastic
  - Housing: Nickel-plated zinc alloy
  - Contact plating: 50µ"/1.27µm gold over contact area
- Operating temperature: -40°C to 66°C
- Supplied with cable tie
- Plug insertion tested to over 750 times
- Suitable for 22 ~ 26 AWG solid wire, core diameter: 0.6mm ~ 1.52mm, cable OD: 6mm ~ 8.5mm

**Packaging:** Packed in individual polybags with instructions printed on bag, then in bags of 20.

**Commodity code:** 85444920

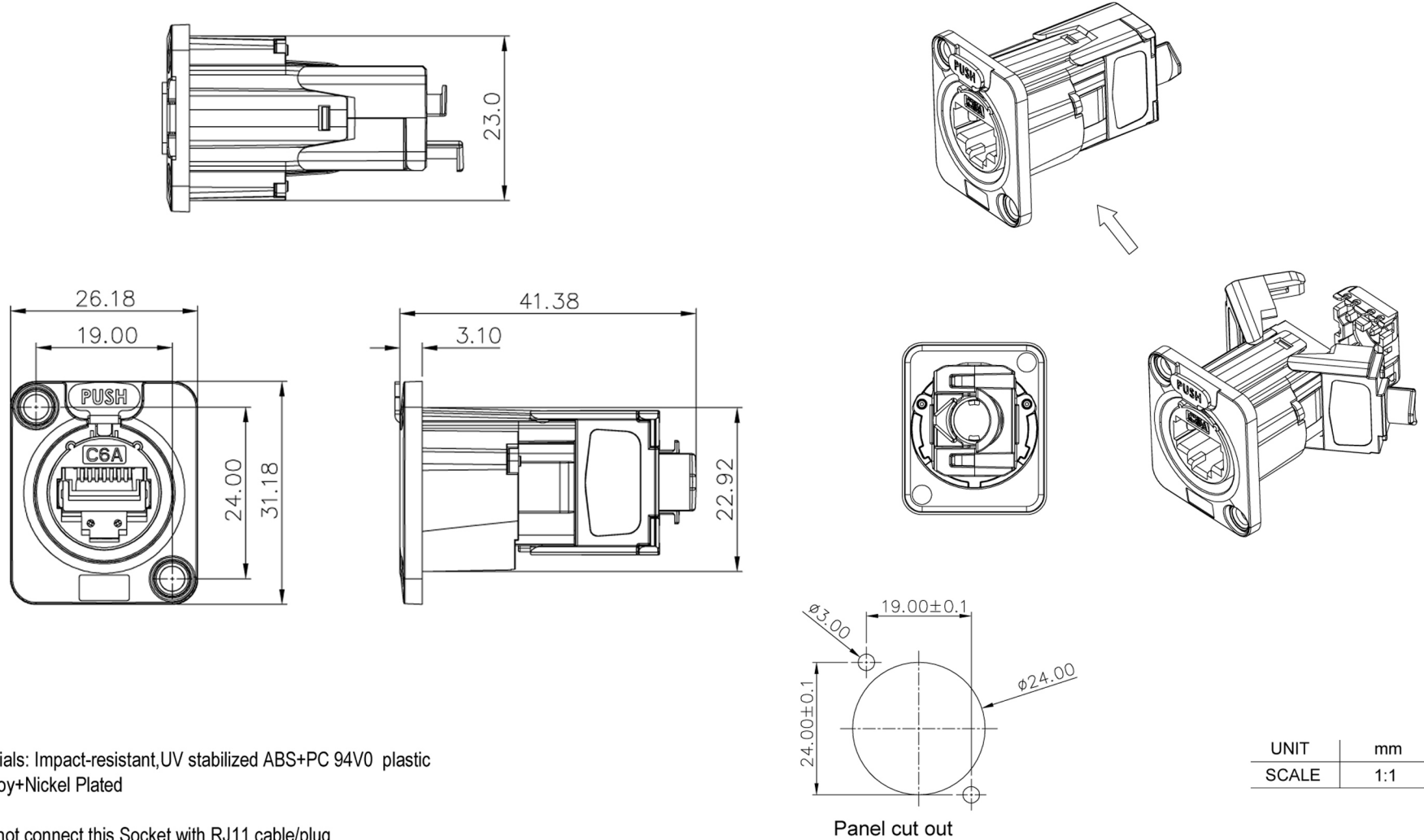
**EAN:** 5055386510099

**Country of Origin:** China



ROHS Compliant

Code: **SGDpmc**  
**SGDpmbk**



**MECHANICAL**

- (1) Materials: Impact-resistant, UV stabilized ABS+PC 94V0 plastic
- (2) Zn alloy+Nickel Plated

**Caution:**

Please do not connect this Socket with RJ11 cable/plug

UNIT	mm
SCALE	1:1