

CONTACT MODULE WITH 1 CONTACT ELEMENT, 1NO, SCREW TERMINAL, FOR FRONT PLATE MOUNTING



Figure similar

product brand name	SIRIUS ACT
Product designation	Commanding and signaling devices
Design of the product	Contact module

Contact block/ lampholder:

Suitability for integration	
<ul style="list-style-type: none"> • pressure selection button 	Yes
<ul style="list-style-type: none"> • front element 	Yes
<ul style="list-style-type: none"> • Pendant pushbutton 	Yes
<ul style="list-style-type: none"> • Pendant switch 	Yes

General technical data:

Product function	
<ul style="list-style-type: none"> • positive opening 	No
Insulation voltage	
<ul style="list-style-type: none"> • rated value 	500 V
Degree of pollution	3
Surge voltage resistance rated value	6 kV
Protection class IP	

<ul style="list-style-type: none"> • of the enclosure • of the terminal 	<p>IP40</p> <p>IP20</p>
Shock resistance <ul style="list-style-type: none"> • acc. to IEC 60068-2-27 • for railway applications acc. to DIN EN 61373 	<p>Sinusoidal half-wave 50 g / 11 ms</p> <p>Category 1, Class B</p>
Vibration resistance <ul style="list-style-type: none"> • acc. to IEC 60068-2-6 • for railway applications acc. to DIN EN 61373 	<p>10 ... 500 Hz: 5g</p> <p>Category 1, Class B</p>
Operating frequency maximum	<p>3 600 1/h</p>
Mechanical service life (switching cycles) <ul style="list-style-type: none"> • typical 	<p>10 000 000</p>
Electrical endurance (switching cycles) <ul style="list-style-type: none"> • typical 	<p>10 000 000</p>
Thermal current	<p>10 A</p>
Equipment marking <ul style="list-style-type: none"> • acc. to DIN EN 61346-2 • acc. to DIN EN 81346-2 	<p>S</p> <p>S</p>
Continuous current of the C characteristic MCB	<p>10 A</p>

Main circuit:

Operating voltage <ul style="list-style-type: none"> • at AC <ul style="list-style-type: none"> — at 50 Hz rated value — at 60 Hz rated value • at DC <ul style="list-style-type: none"> — rated value 	<p>5 ... 500 V</p> <p>5 ... 500 V</p> <p>5 ... 500 V</p>
--	--

Power Electronics:

Contact reliability	<p>One maloperation per 100 million (17 V, 5 mA), one maloperation per 10 million (5 V, 1 mA)</p>
----------------------------	---

Auxiliary circuit:

Design of the contact of auxiliary contacts	<p>Silver alloy</p>
Number of NC contacts <ul style="list-style-type: none"> • for auxiliary contacts <ul style="list-style-type: none"> — lagging switching 	<p>0</p> <p>0</p>
Number of NO contacts <ul style="list-style-type: none"> • for auxiliary contacts <ul style="list-style-type: none"> — leading contact 	<p>1</p> <p>0</p>
Number of CO contacts <ul style="list-style-type: none"> • for auxiliary contacts 	<p>0</p>
Operating current at AC-12 <ul style="list-style-type: none"> • at 24 V rated value • at 48 V rated value 	<p>10 A</p> <p>10 A</p>

<ul style="list-style-type: none"> • at 110 V rated value • at 230 V rated value • at 400 V rated value 	<p>10 A</p> <p>8 A</p> <p>8 A</p>
Operating current at AC-15 <ul style="list-style-type: none"> • at 230 V rated value • at 400 V rated value 	<p>6 A</p> <p>3 A</p>
Operating current at DC-12 <ul style="list-style-type: none"> • at 110 V rated value 	<p>2.5 A</p>
Operating current at DC-13 <ul style="list-style-type: none"> • at 24 V rated value • at 110 V rated value • at 400 V rated value 	<p>3 A</p> <p>0.7 A</p> <p>0.1 A</p>

Connections/ Terminals:

Type of electrical connection	screw-type terminals
Type of connectable conductor cross-sections <ul style="list-style-type: none"> • solid with core end processing • solid without core end processing • finely stranded with core end processing • finely stranded without core end processing • at AWG conductors 	<p>2x (0.5 ... 0.75 mm²)</p> <p>2x (1.0 ... 1.5 mm²)</p> <p>2x (0.5 ... 1.5 mm²)</p> <p>2x (1,0 ... 1,5 mm²)</p> <p>2x (18 ... 14)</p>
Connectable conductor cross-section <ul style="list-style-type: none"> • finely stranded with core end processing 	<p>0.5 ... 1.5 mm²</p>
Tightening torque <ul style="list-style-type: none"> • with screw-type terminals 	<p>0.8 ... 0.9 N·m</p>

Ambient conditions:

Ambient temperature <ul style="list-style-type: none"> • during operation • during storage 	<p>-25 ... +70 °C</p> <p>-40 ... +80 °C</p>
Environmental category during operation acc. to IEC 60721	<p>3M6, 3S2, 3B2, 3C3, 3K6 (with relative air humidity of 10 ... 95 %, no condensation in operation permitted)</p>

Installation/ mounting/ dimensions:

Mounting type <ul style="list-style-type: none"> • of modules and accessories 	<p>Front plate mounting</p>
Height	33.2 mm
Width	9.8 mm
Depth	27.7 mm

Certificates/approvals



Test Certificates

other

[Werksbescheinigung](#)
[gen](#)

[spezielle](#)
[Prüfbescheinigunge](#)
[n](#)

[Bestätigungen](#)

Further information

Information- and Downloadcenter (Catalogs, Brochures,...)

<http://www.siemens.com/industrial-controls/catalogs>

Industry Mall (Online ordering system)

<https://mall.industry.siemens.com/mall/en/en/Catalog/product?mlfb=3SU1400-1AA10-1BA0>

Cax online generator

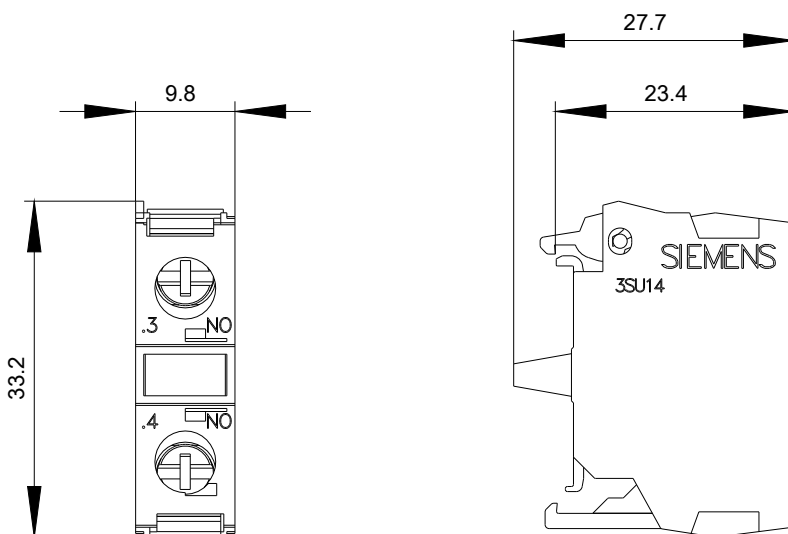
<http://support.automation.siemens.com/WW/CAXorder/default.aspx?lang=en&mlfb=3SU1400-1AA10-1BA0>

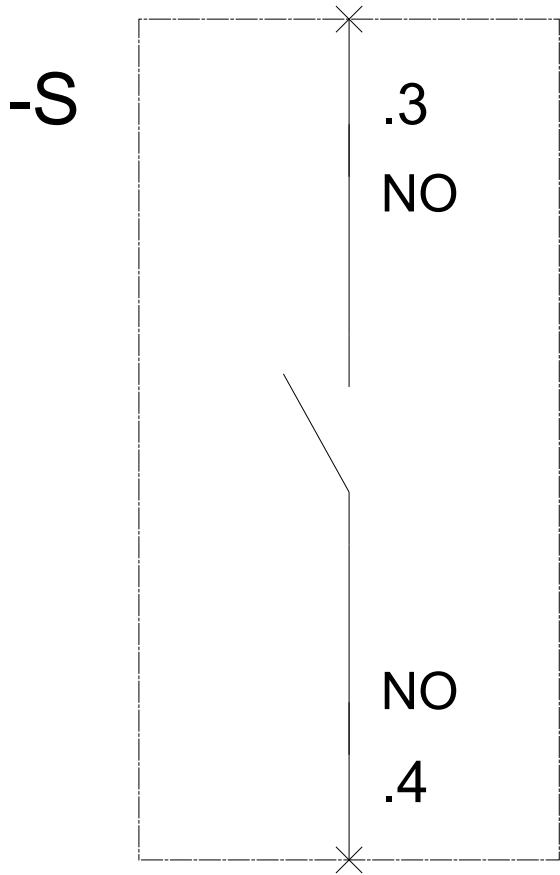
Service&Support (Manuals, Certificates, Characteristics, FAQs,...)

<https://support.industry.siemens.com/cs/ww/en/ps/3SU1400-1AA10-1BA0>

Image database (product images, 2D dimension drawings, 3D models, device circuit diagrams, EPLAN macros, ...)

http://www.automation.siemens.com/bilddb/cax_de.aspx?mlfb=3SU1400-1AA10-1BA0&lang=en





last modified:

07/12/2016