



DEUTSCH | STRIKE

TE Internal #: SRK06-MDC-32A-001

STRIKE, Housing for Female Terminals, Wire-to-Wire, 32 Position, .24 in / .118 in / .228 in [3 mm / 6.1 mm / 3.4 mm] Centerline, Sealable, Black

[View on TE.com >](#)

Connectors > Automotive Connectors > Connector Housings > DEUTSCH STRIKE HOUSINGS



Connector & Housing Type: **Housing for Female Terminals**

Mating Pin Diameter: 1.02 mm, 1.59 mm [ .04 in, .063 in ]

Connector System: **Wire-to-Wire**

Number of Positions: 32

Centerline (Pitch): 3 mm, 3.4 mm, 5.8 mm, 6.1 mm [ .118 in, .134 in, .228 in, .24 in ]

[All DEUTSCH STRIKE HOUSINGS \(20\)](#)

## Features

### Product Type Features

Connector & Housing Type	Housing for Female Terminals
Connector System	Wire-to-Wire
Sealable	Yes
Hybrid Connector	Yes
Primary Locking Feature	Integrated in Housing
Connector & Contact Terminates To	Wire & Cable

### Configuration Features

Number of Positions	32
Number of Rows	4

### Electrical Characteristics

Operating Voltage	48 VAC
Nominal Voltage Architecture	12 V, 24 V



### Body Features

Cable Exit Angle	180°
Body Material	PBT
Primary Product Color	Black
Connector Code	C

### Contact Features

Mating Pin Diameter	1.02 mm, 1.59 mm [.04 in] [.063 in]
Contact Current Rating (Max)	7.5 A, 13 A

### Mechanical Attachment

Mounting Feature	Without
Terminal Position Assurance	Yes
Strain Relief	Yes
Mating Alignment Type	Polarized
Connector Mounting Type	Cable Mount (Free-Hanging)

### Housing Features

Centerline (Pitch)	3 mm, 3.4 mm, 5.8 mm, 6.1 mm [.118 in] [.134 in] [.228 in] [.24 in]
--------------------	---

### Dimensions

Product Width	38.9 mm [1.532 in]
Product Length	81 mm [3.189 in]
Product Height	48.5 mm [1.909 in]
Row-to-Row Spacing	10.85 mm, 11.35 mm, 3.5 mm [.138 in] [.427 in] [.447 in]
Accepts Wire Insulation Diameter Range	1.55 – 2.41 mm, 1.55 – 3.05 mm [.061 – .095 in] [.061 – .12 in]

### Usage Conditions

Operating Temperature (Max)	125 °C [257 °F]
Operating Temperature Range	-55 – 125 °C [-67 – 257 °F]

### Operation/Application

Circuit Application	Power & Signal
---------------------	----------------

### Industry Standards

Agency/Standard	SAE J2030
Degree of Protection	IP68, IP6K9K



UL Flammability Rating	Not tested
------------------------	------------

### Packaging Features

Packaging Quantity	144
Packaging Method	Box

### Other

Serviceable	Yes
Connector Position Assurance Capable	No

### Product Compliance

[For compliance documentation, visit the product page on TE.com>](#)

EU RoHS Directive 2011/65/EU	Compliant
EU ELV Directive 2000/53/EC	Compliant
China RoHS 2 Directive MIIT Order No 32, 2016	No Restricted Materials Above Threshold
EU REACH Regulation (EC) No. 1907/2006	Current ECHA Candidate List: JAN 2022 (223) Candidate List Declared Against: JUL 2021 (219) SVHC > Threshold: Not Yet Reviewed
Halogen Content	Not Low Halogen - contains Br or Cl > 900 ppm.
Solder Process Capability	Not reviewed for solder process capability

#### Product Compliance Disclaimer

This information is provided based on reasonable inquiry of our suppliers and represents our current actual knowledge based on the information they provided. This information is subject to change. The part numbers that TE has identified as EU RoHS compliant have a maximum concentration of 0.1% by weight in homogenous materials for lead, hexavalent chromium, mercury, PBB, PBDE, DBP, BBP, DEHP, DIBP, and 0.01% for cadmium, or qualify for an exemption to these limits as defined in the Annexes of Directive 2011/65/EU (RoHS2). Finished electrical and electronic equipment products will be CE marked as required by Directive 2011/65/EU. Components may not be CE marked. Additionally, the part numbers that TE has identified as EU ELV compliant have a maximum concentration of 0.1% by weight in homogenous materials for lead, hexavalent chromium, and mercury, and 0.01% for cadmium, or qualify for an exemption to these limits as defined in the Annexes of Directive 2000/53/EC (ELV). Regarding the REACH Regulation, the information TE provides on SVHC in articles for this part number is based on the latest European Chemicals Agency (ECHA) 'Guidance on requirements for substances in articles' posted at this URL: <https://echa.europa.eu/guidance-documents/guidance-on-reach>

### Compatible Parts




TE Part # CAT-D48-ST273  
DEUTSCH SOLID CONTACTS



TE Part # SRK02-MDC-32A-001  
REC, 32P, BLK, E, FLANGE, C



TE Part # DT-RT1  
EXT TOOL, FRONT RELEASE



TE Part # CAT-D48-SP729  
DEUTSCH SEALING PLUGS



TE Part # CAT-D48-SFT273  
DEUTSCH STAMPED & FORMED CONTACTS



TE Part # SRK15-MDC-32A-001  
HDR, 32P, BLK, ST, SN/NI/CU, C



TE Part # SRK-BS-MD-90-001  
BKSHL, MED, BLK, RA, NW 17/22



TE Part # SRK-BS-MD-90-002  
BKSHL, MED, BLK, RA, NW 22




TE Part # SRK-BS-MD-ST-001  
BKSHL, MED, BLK, ST, NW 17/22



TE Part # SRK-BS-MD-ST-002  
BKSHL, MED, BLK, ST, NW 22




TE Part # SRK-MT-02  
SRK TPA MOUNTING TOOL recpt



TE Part # SRK15MDC32A001G003  
HDR, 32P, BLK, ST, AU/NI/CU, C

Also in the Series | **STRIKE**



Automotive Housings(20)



PCB Headers & Receptacles(9)

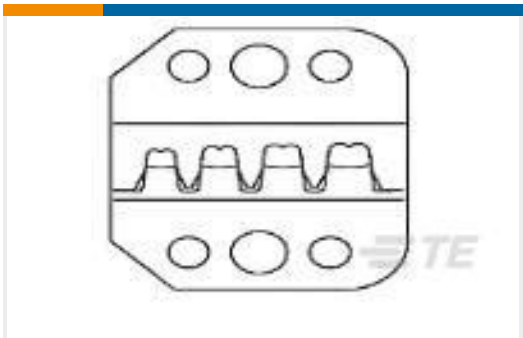
Customers Also Bought



TE Part #963598-1  
MICRO-T/JPT GH66/2P



TE Part #160913-4  
FF 250 REC 2.5-4.0MM2 TPPB



TE Part #90800-2  
DIE ASSEMBLY



TE Part #SRK06-MDB-32A-001  
PLG, 32P, BLK, E, B



TE Part #2120864-1  
VARIANT 14; METAL PLUG, RJ45,  
CAT5E,8POS.



TE Part #ASA021F11390100000  
623 PLUG, SPEEDTEC



TE Part #NB10784001  
ATUM-32/8-0-SP



TE Part #SRK-BS-MD-90-002  
BKSHL, MED, BLK, RA, NW 22



TE Part #929938-3  
JPT REC 2.8 Contact SWS Sn (LP)



TE Part #5178893001  
100G0131-1.00-A471CK0198

## Documents

### Product Drawings

PLG, 32P, BLK, E, C

English

### CAD Files

3D PDF

3D

Customer View Model

[ENG\\_CVM\\_CVM\\_SRK06-MDC-32A-001\\_D.2d\\_dxf.zip](#)

English

Customer View Model

[ENG\\_CVM\\_CVM\\_SRK06-MDC-32A-001\\_D.3d\\_igs.zip](#)

English

Customer View Model

[ENG\\_CVM\\_CVM\\_SRK06-MDC-32A-001\\_D.3d\\_stp.zip](#)

English

By downloading the CAD file I accept and agree to the [Terms and Conditions](#) of use.

### Product Specifications

Application Specification

English