

Cutting, stripping and crimping tool STRIPAX PLUS 2.5

Weidmüller Interface GmbH & Co. KG
Klingenbergstraße 16
D-32758 Detmold
Germany
Fon: +49 5231 14-0
Fax: +49 5231 14-292083
www.weidmueller.com



Cutting, stripping and crimping tools for connected wire-end ferrules strips

- Cutting
- Stripping
- Crimping
- Automatic feeding of wire end ferrules
- Ratchet guarantees precise crimping
- Release option in the event of incorrect operation
- Efficient: only one tool needed for cable work, and thus significant time saved

General ordering data

Type	STRIPAX PLUS 2.5
Order No.	9020000000
Version	Cutting, stripping and crimping tool, Crimping tool for wire-end ferrules, 0.5mm ² , 2.5mm ² , Trapezoidal crimp
GTIN (EAN)	4008190067267
Qty.	1 pc(s).

**Cutting, stripping and crimping tool
STRIPAX PLUS 2.5**

Weidmüller Interface GmbH & Co. KG
 Klingenbergstraße 16
 D-32758 Detmold
 Germany
 Fon: +49 5231 14-0
 Fax: +49 5231 14-292083
 www.weidmueller.com

Technical data
Dimensions and weights

Width	210 mm	Width (inches)	8.268 inch
Weight	260 g	Net weight	250.91 g

Technical data

Version	Mechanical, without interchangeable inserts
---------	---

Description of contact

Type of contact	Strips of linked wire-end ferrules	Crimping range, min.	0.5 mm ²
Crimping range, max.	2.5 mm ²		

tool data crimping

Crimping profile 1, min.	0.5 mm ²	Crimping type/profile	Trapezoidal crimp
Wire end ferrules cross-section, min.	0.5 mm ²	Crimping profile 1, max.	0.75 mm ²
Wire end ferrules cross-section, max.	2.5 mm ²	Crimping profile 2, min.	1 mm ²
Crimping profile 2, max.	1.5 mm ²	Crimping profile 3, min.	2.5 mm ²

Classifications

ETIM 3.0	EC000005	ETIM 4.0	EC000005
ETIM 5.0	EC000005	ETIM 6.0	EC002109
UNSPSC	31-16-31-02	eClass 5.1	27-40-02-01
eClass 6.2	21-04-38-11	eClass 7.1	27-40-02-01
eClass 8.1	27-40-02-01	eClass 9.0	21-04-38-11
eClass 9.1	21-04-37-06		

Product information

Descriptive text ordering data	Additional accessories can be found in chapter J
Descriptive text technical data	Only strip-type products from Weidmüller may be processed. The use of wire-end ferrules on reels may lead to destruction.

Approvals

Approvals



ROHS	Conform
------	---------

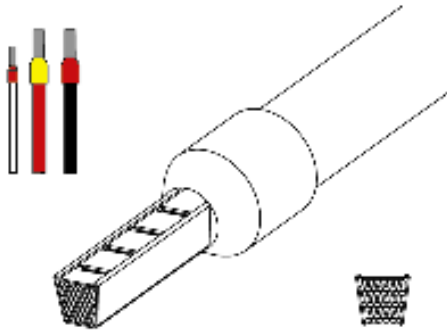
Downloads

Brochure/Catalogue	CAT 6 TOOLS 15/16 EN
Engineering Data	WSCAD

**Cutting, stripping and crimping tool
STRIPAX PLUS 2.5**

Weidmüller Interface GmbH & Co. KG
Klingenbergstraße 16
D-32758 Detmold
Germany
Fon: +49 5231 14-0
Fax: +49 5231 14-292083
www.weidmueller.com

Example of use



Example of use



Example of use

