



Main

| | |
|-----------------------------|--|
| Range of product | Harmony XALE |
| Product or component type | Complete control station |
| Device short name | XALE |
| Product destination | For XB7 Ø 22 mm control and signalling units |
| Control station application | One function |
| Colour of base of enclosure | Light grey (RAL 7035) |
| Colour of cover | Light grey (RAL 7035) |
| Material | ABS (acrylonitrile butadiene-styrene) |
| IP degree of protection | IP54 conforming to IEC 60529 |
| Control station composition | 1 selector switch with standard handle, stay put 1 NO, white O-I marking |
| Marking location | Marking on legend holder |
| Contact operation | Slow-break |

Complementary

| | |
|--|---|
| Cable entry | 2 knock-outs, clamping capacity: 16 mm 4 knock-outs for ISO M20 |
| Net weight | 0.105 kg |
| Marking | CE |
| Operator position information | 2 positions |
| Positive opening | Without |
| Short-circuit protection | 4 A cartridge fuse type gG conforming to IEC 60947-5-1 |
| [Ui] rated insulation voltage | 250 V (pollution degree 3) conforming to IEC 60947-1 |
| [Uimp] rated impulse withstand voltage | 4 kV conforming to IEC 60947-1 |
| [Ie] rated operational current | 0.1 A at 250 V, DC-13, R300 conforming to IEC 60947-5-1 0.22 A at 125 V, DC-13, R300 conforming to IEC 60947-5-1 0.3 A at 240 V, AC-14, D300 conforming to IEC 60947-5-1 0.6 A at 120 V, AC-14, D300 conforming to IEC 60947-5-1 |
| Electrical reliability | $\Lambda \leq 10\exp(-6)$ at 17 V and 5 mA conforming to IEC 60947-5-4 |

Environment

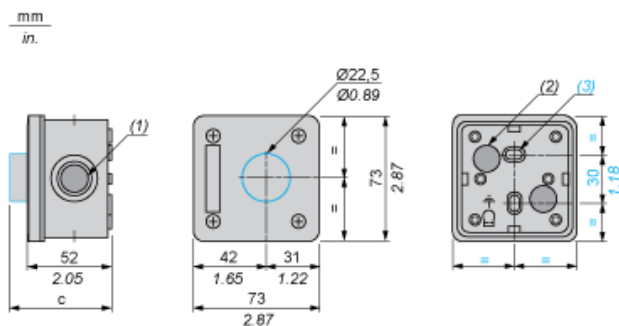
| | |
|---------------------------------------|--|
| Protective treatment | TC |
| Ambient air temperature for storage | -40...70 °C |
| Ambient air temperature for operation | -25...55 °C |
| Electrical shock protection class | Class II conforming to IEC 60536 |
| IK degree of protection | IK05 conforming to IEC 62262 |
| Standards | IEC 60947-1 IEC 60947-5-1 IEC 62208 IEC 60947-5-5 |

The information provided in this documentation contains general descriptions and/or technical characteristics of the performance of the products contained herein. This documentation is not intended as a substitute for and is not to be used for determining suitability or reliability of these products for specific user applications. It is the duty of any such user or integrator to perform the appropriate and complete risk analysis, evaluation and testing of the products with respect to the relevant specific application or use thereof. Neither Schneider Electric Industries SAS nor any of its affiliates or subsidiaries shall be responsible or liable for misuse of the information contained herein.

Offer Sustainability

| | |
|----------------------------|---|
| Sustainable offer status | Green Premium product |
| REACH Regulation | REACH Declaration |
| REACH free of SVHC | Yes |
| EU RoHS Directive | Pro-active compliance (Product out of EU RoHS legal scope) EU RoHS Declaration |
| Toxic heavy metal free | Yes |
| Mercury free | Yes |
| China RoHS Regulation | China RoHS Declaration |
| RoHS exemption information | Yes |
| Environmental Disclosure | Product Environmental Profile |
| Circularity Profile | End Of Life Information |
| WEEE | The product must be disposed on European Union markets following specific waste collection and never end up in rubbish bins |

Dimensions



- (1) 4 ISO 20 knock-outs.
- (2) 2 knock-outs for cable entry, maximum capacity 16 mm / 0.63 in.
- (3) 2 knock-out elongated fixing holes $\varnothing 3$ mm x 5 mm / $\varnothing 0.12$ in. x 0.20 in.

| Control station XALE fitted with: | c in mm | c in in. |
|--------------------------------------|---------|----------|
| Flush pushbutton | 61 | 2.40 |
| Projecting pushbutton | 63 | 2.48 |
| Illuminated pushbutton | 66.5 | 2.62 |
| Pilot light | 63 | 2.48 |
| Emergency stop without key | 81.5 | 3.21 |
| Selector switch with standard handle | 76.5 | 3.01 |
| Key switch | 92 | 3.62 |