

# Power supplies – 19" AC/DC switch-mode PSUs

## MAXPOWER 100 W, TRIPLE



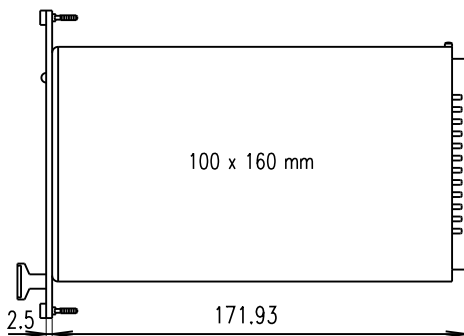
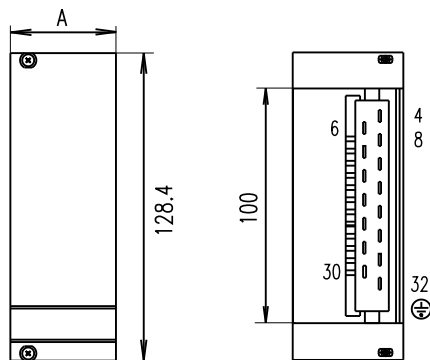
- Wide input voltage range 90 ... 254 V<sub>AC</sub> and 100 ... 360 V<sub>DC</sub> with active power-factor correction (PFC)
- High power density
- 3 output voltages
- Signalling: Output voltage OK



### DELIVERY COMPRISES

Qty	Description
1	19" compatible power supply height 3 U width A: 8 HP depth 171.93 mm (160 mm board depth) connector H 15 M coding strip (fitted)

11300011



### ORDER INFORMATION

Voltage V	Current A	Power W	Description	Part no.
V1: 5	I <sub>1</sub> : 8	100	MAX 312	13100-122
V2: 12	I <sub>2</sub> : 2.5			
V3: -12	I <sub>3</sub> : 2.5			
V1: 5	I <sub>1</sub> : 8	100	MAX 315	13100-123
V2: 15	I <sub>2</sub> : 2			
V3: -15	I <sub>3</sub> : 2			
Front panel 8 HP, Al, front anodised, rear iridescent green chromated, with vertical grooves for EMC gaskets, incl. assembly kit, 1 piece				<b>21006-945</b>
EMC gaskets (stainless steel) 3 U, 97 mm, stainless steel, two pieces necessary per front panel, PU 10 pieces				<b>21101-705</b>
Connector H 15 F Mating connector (female) for wiring inputs/ outputs (6.3 mm FASTON), 1 piece				<b>69001-733</b>
Coding PU (1 keying/coding strip, 2 pieces keying/coding pins)				<b>60800-123</b>

### Note

- **Please order front panel separately**
- Output data for mains voltage > 190 V<sub>AC</sub>, T<sub>A</sub> = 0 ... 50 °C
- Further accessories see page 9.16

DJLM0084

### Connector pin-out

Pin	Connection
4	Output + V <sub>1</sub>
6	Output + V <sub>1</sub>
8	Sense line + V <sub>1</sub>
10	Sense line 0V V <sub>1</sub>
12	Output 0V V <sub>1,2</sub>
14	Output 0V V <sub>1,2</sub>
16	Output + V <sub>2</sub>
18	Output 0V V <sub>1,2</sub>
20	Output 0V V <sub>3</sub>
22	Output - V <sub>3</sub>
24	Output OK
26	-
28	L
30	N
32	PE ⊕