

Power supplies – 19" AC/DC switch-mode PSUs

SLIMPOWER 42 W, SINGLE



- Width only 3 HP
- Wide input voltage range
85 ... 254 VAC and 120 ... 360 VDC
- Single output voltage with low interferences
(low ripple < 10 mV_{pp})
- Integrated decoupling diode for redundancy operation
(can be activated)
- Passive Current Share Bus
- Signalling: Output voltage OK



DELIVERY COMPRISES

11302001

Qty	Description
1	19"-compatible power supply unit height 3 U width 3 HP depth 171.93 mm (160 mm board depth) connector H 15 M

ORDER INFORMATION

Voltage V	Current A	Power W	Description	Part no.
5	6	30	SLE 105	13100-136
12	3.5	42	SLE 112	13100-137
15	2.8	42	SLE 115	13100-138
24	1.7	41	SLE 124	13100-139

Front panel 3 HP, Al, front anodised, rear iridescent green chromated, with vertical grooves for EMC gaskets,
incl. assembly kit, 1 piece

21006-959

EMC gaskets (stainless steel) 3 U, 97 mm, stainless steel, two pieces necessary per front panel, PU 10 pieces

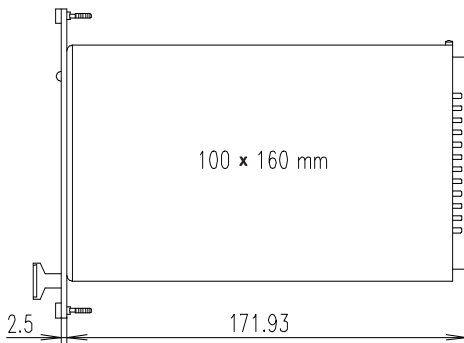
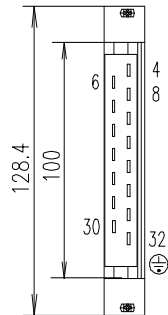
21101-705

Connector H 15 F Mating connector (female) for wiring inputs/ outputs (6.3 mm FASTON), 1 piece

69001-733

Note

- **Please order front panel separately**
- Output data at T_A = 0 ... 50 °C
- Further accessories see page 9.16


11302054

TE = HP

Connector pin-out

Pin	Connection
4	Output + V ₁
6	Output + V ₁
8	Sense line + V ₁
10	Sense line 0 V ₁
12	Output 0 V ₁
14	Output 0 V ₁
16	-
18	-
20	-
22	-
24	Output OK
26	-
28	L
30	N
32	PE ⊕