

# Power supplies – 19" AC/DC switch-mode PSUs

## MAXPOWER 180 W, SINGLE



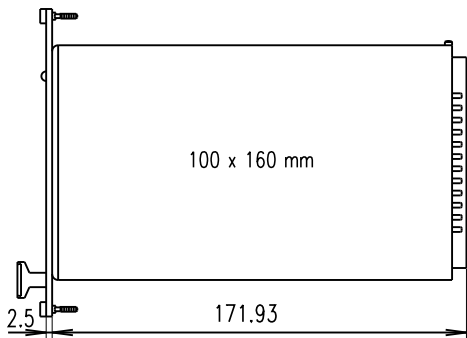
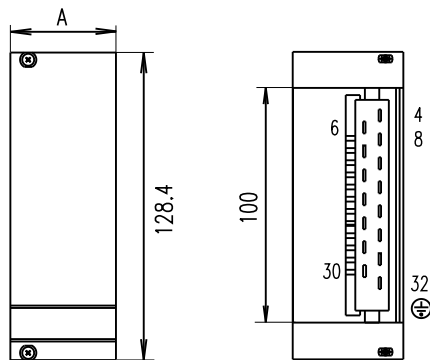
- Wide input voltage range 90 ... 254 V<sub>AC</sub> and 100 ... 360 V<sub>DC</sub> with active Power Factor Correction (PFC)
- Single output voltage
- Integrated active decoupling for redundancy operation
- Active Current Share Bus (CSB)
- Signalling: Output voltage OK
- Efficiency up to 87 %



### DELIVERY COMPRISES

Qty	Description
1	19" compatible power supply height 3 U width A: 8 HP depth 171.93 mm (160 mm board depth) connector H 15 M coding strip (fitted)

11308005



### ORDER INFORMATION

Voltage V	Current A	Power W	Description	Part no.
5	30	150	MAX 180-105	13100-150
12	13	156	MAX 180-112	13100-151
15	11	165	MAX 180-115	13100-152
24	7	168	MAX 180-124	<b>13100-153</b>

Front panel 8 HP, Al extrusion, front anodised, rear iridescent green chromated, shielded with fixed textile gasket, incl. assembly kit, 1 piece

Connector H 15 F Mating connector (female) for wiring inputs/outputs (6.3 mm FASTON), 1 piece **69001-733**

Coding PU (1 keying/coding strip, 2 pieces keying/coding pins) **60800-123**

Coding PU (Female strip) **60800-122**

### Note

- Please order front panel separately
- Output data for mains voltage > 190 V<sub>AC</sub>, T<sub>A</sub> = 0 ... 50 °C
- Further accessories see page 9.15

DJLM0084

### Connector pin-out

Pin	Connection
4	Output + V <sub>1</sub>
6	Output + V <sub>1</sub>
8	Sense + V <sub>1</sub>
10	Sense 0V V <sub>1</sub>
12	Output 0V V <sub>1</sub>
14	Output 0V V <sub>1</sub>
16	Output + V <sub>1</sub>
18	Output 0V V <sub>1</sub>
20	Test
22	CSB
24	DC output OK
26	-
28	L
30	N
32	PE ⊕