



MOULDED-PLASTIC ENCLOSURE FOR WALL MOUNTING, DEGREE OF PROTECTION IP55, WITH N AND PE TERMINAL, 54MM

Certificates/approvals:

General Product Approval	Declaration of Conformity	Test Certificates	Shipping Approval		
 GOST	 EG-Konf.	Special Test Certificate	 ABS	 BUREAU VERITAS	 RMRS
other					
Confirmation	Declaration of Conformity	other	Environmental Confirmations		

Further information:

Information- and Downloadcenter (Catalogs, Brochures,...)

<http://www.siemens.com/industrial-controls/catalogs>

Industry Mall (Online ordering system)

<http://www.siemens.com/industrial-controls/mall>

CAX-Online-Generator

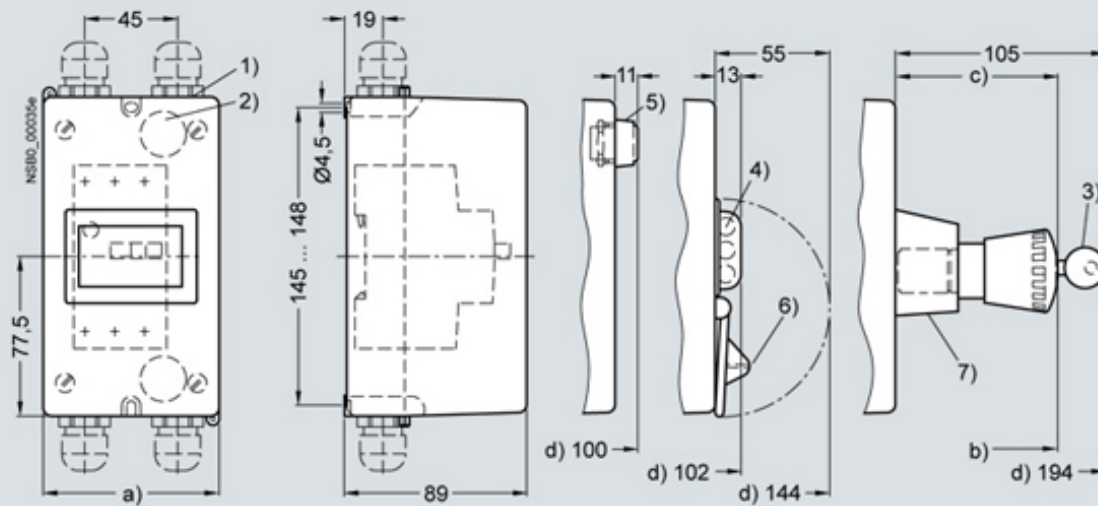
<http://www.siemens.com/cax>

Service&Support (Manuals, Certificates, Characteristics, FAQs,...)

<http://support.automation.siemens.com/WWW/view/en/3RV1913-1CA00/all>

Image database (product images, 2D dimension drawings, 3D models, device circuit diagrams, ...)

http://www.automation.siemens.com/bilddb/cax_en.aspx?mlfb=3RV1913-1CA00



- 1) Knock-outs for M25 cable glands.
- 2) Knock-outs for rear cable entry M20.
- 3) With safety lock.
- 4) Max. shackle diameter for padlock 8 mm.
- 5) 3RV19 03-5 indicator light.
- 6) 3RV19 13-6B locking device.
- 7) 3RV19 13-7 EMERGENCY-STOP mushroom button.

- a) 3RV19 13-1CA00: 85 mm,
3RV19 13-1DA00: 105 mm.
- b) With EMERGENCY-STOP mushroom button:
- 3RV19 13-7D: 153 mm,
- 3RV19 13-7E: 173 mm.
Dimensions refer to mounting surface.
- b) With EMERGENCY-STOP mushroom button:
- 3RV19 13-7D: 64 mm,
- 3RV19 13-7E: 84 mm.
- d) Dimensions refer to mounting surface.

last change: