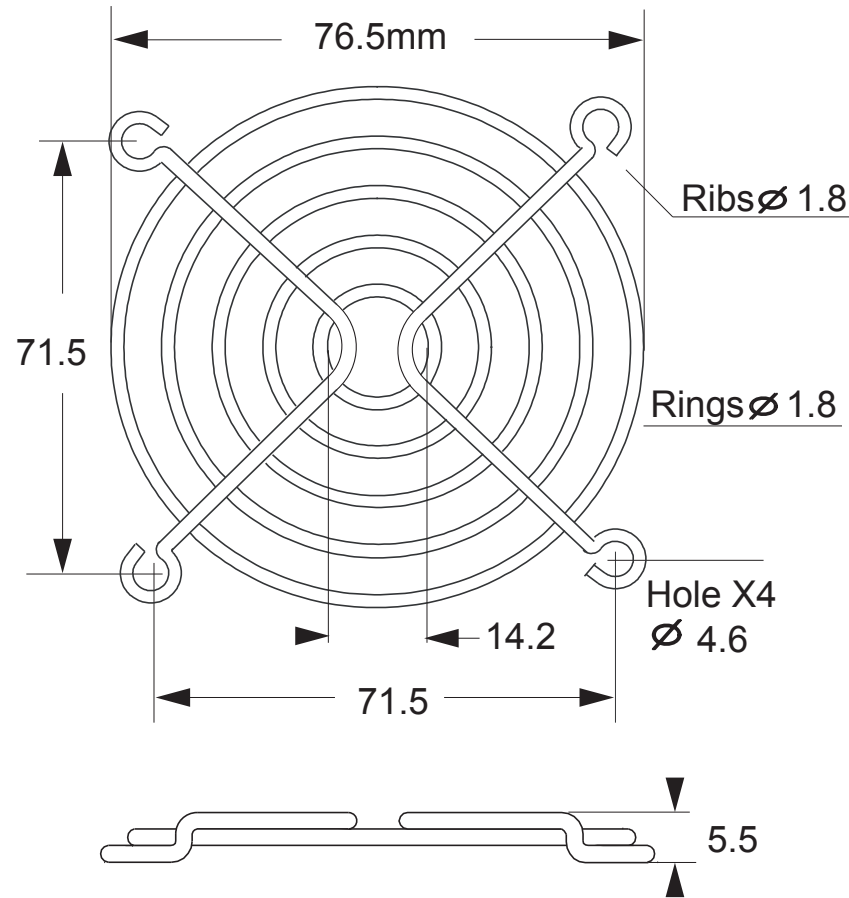


Revision			
Rev.	Description	Date	Approved
A-3		2017/08/07	R/D



### Specifications:

1. General tolerance unless noted is  $\pm 0.5\text{mm}$
2. Hole to Hole:  $71.5\text{mm} \pm 0.5\text{mm}$
3. Holes dia.:  $4.6\text{mm} \pm 0.2\text{mm}$
4. Outer ring dia.:  $76.5\text{mm} \pm 0.5\text{mm}$
5. Ring dia.:  $1.8\text{mm} \pm 0.1\text{mm}$
6. Rib dia.:  $1.8\text{mm} \pm 0.1\text{mm}$
7. Height.:  $5.5\text{mm} \pm 0.2\text{mm}$
8. Stagger welds: 5 rings

### Material:

- Rings & Ribs Steel wire BL1-195(C1008)
- Surface Treating  
Nickled-chrome electro plating surface, bright color  
(Black color & other platings are available on request)
- Comply with the limits as set by RoHS / SVHC
- Weld Joins Contact Strength  
Spot welding Points to withstand min. 88lbs(40Kgs.)
- Weight: 19.0Gm

### Mates with:

- M838, S80, S825, S838, SD8015, SD8025 series cooling fan

 **Sinwan Electric Industries Co., Ltd.**

Part Number:

**G80-18**

Description:

Metal Fan Guard For 80mm (3.15") Fan