

T4161120005-004 ✓ ACTIVE

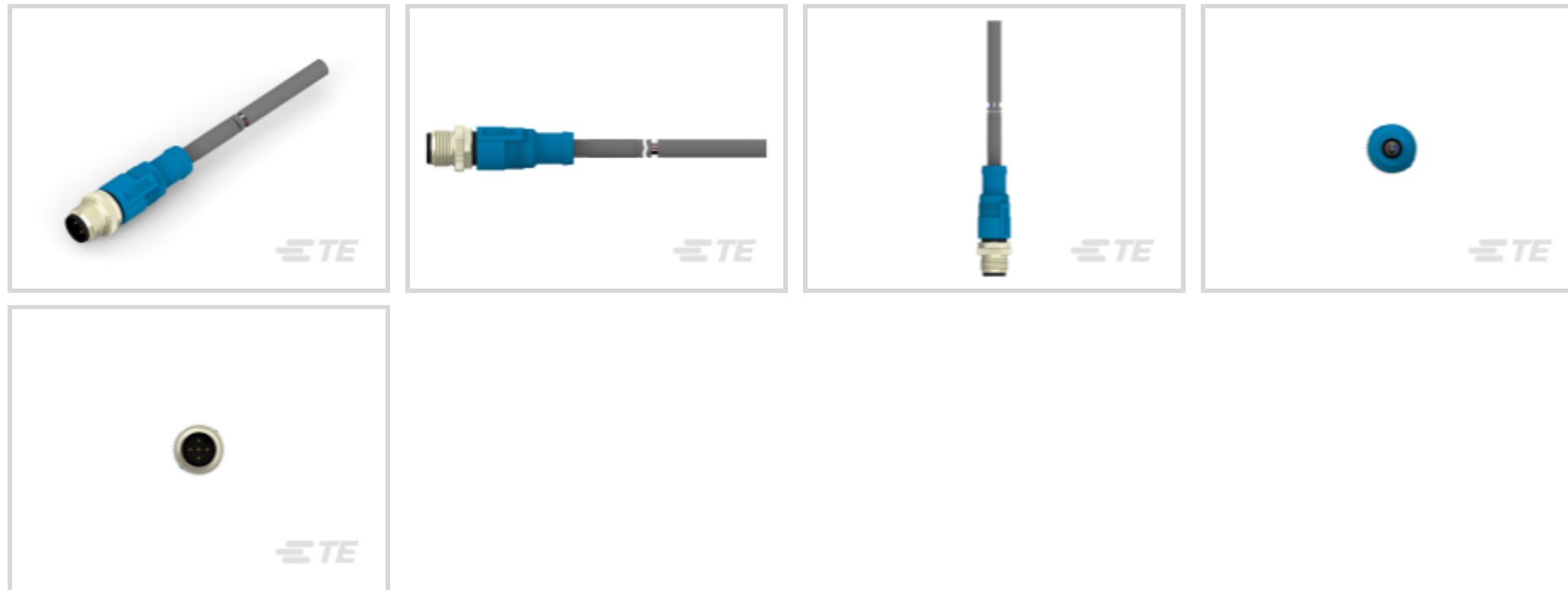
TE Internal #: T4161120005-004

M8/M12 Cable Assemblies, Sensor/Actuator, 5 Position, A Keying Code, M12 Plug, M12 Pigtail, Straight Connector Orientation (End A), Length 3 m

[View on TE.com >](#)



Cable Assemblies > Copper Cable Assemblies > M8/M12 Cable Assemblies > M12 A-CODE MALE STRT SINGLE ENDED CABLE



M8/M12 Application Type: **Sensor/Actuator**

Number of Positions: **5**

Keying Code: **A**

Connector Type (End A): **M12 Plug**

Cable Assembly Type: **M12 Pigtail**

[All M12 A-CODE MALE STRT SINGLE ENDED CABLE \(139\)](#)

## Features

### Product Type Features

LED	Without
Product Type	Cable Assembly
Cable Type	PUR
Assembly Type	Pigtail
Connector Type (End A)	M12 Plug
Cable Assembly Type	M12 Pigtail

### Configuration Features

Number of Positions	5
Keying Code	A

### Electrical Characteristics

Operating Voltage	60 VDC
-------------------	--------

### Body Features

Cable Exit Angle	Straight
------------------	----------



Environmental Protection	With
--------------------------	------

Conductor Material	Copper Alloy
--------------------	--------------

Connector Color	Blue
-----------------	------

Insulation Material	PVC
---------------------	-----

### Contact Features

Contact Current Rating	4 A
------------------------	-----

### Mechanical Attachment

Screw & Hole Thread Size	M12
--------------------------	-----

Connector Orientation (End A)	Straight
-------------------------------	----------

### Housing Features

Housing Material	GF Nylon
------------------	----------

### Dimensions

Wire Size	22 AWG
-----------	--------

### Operation/Application

M8/M12 Application Type	Sensor/Actuator
-------------------------	-----------------

Shielded	Yes
----------	-----

### Packaging Features

Packaging Method	Bag
------------------	-----

### Other

Field Serviceable	Yes
-------------------	-----

Cable Assembly Length	3 m
-----------------------	-----

Cable Assembly Configuration	Single Ended
------------------------------	--------------

### Product Compliance

[For compliance documentation, visit the product page on TE.com>](#)

EU RoHS Directive 2011/65/EU	Compliant with Exemptions
------------------------------	---------------------------

EU ELV Directive 2000/53/EC	Compliant with Exemptions
-----------------------------	---------------------------

China RoHS 2 Directive MIIT Order No 32, 2016	Restricted Materials Above Threshold
---	--------------------------------------

EU REACH Regulation (EC) No. 1907/2006	Current ECHA Candidate List: JAN 2022 (223) Candidate List Declared Against: JAN 2022 (223) SVHC > Threshold:
--	---

Pb (1.9% in Component)

**Article Safe Usage Statements:**

Do not eat, drink or smoke when using this product. Wash thoroughly after handling. Recycle if possible and dispose of the article by following all applicable governmental regulations relevant to your geographic location.

Halogen Content

Not Yet Reviewed for halogen content

Solder Process Capability

Not applicable for solder process capability

**Product Compliance Disclaimer**

This information is provided based on reasonable inquiry of our suppliers and represents our current actual knowledge based on the information they provided. This information is subject to change. The part numbers that TE has identified as EU RoHS compliant have a maximum concentration of 0.1% by weight in homogenous materials for lead, hexavalent chromium, mercury, PBB, PBDE, DBP, BBP, DEHP, DIBP, and 0.01% for cadmium, or qualify for an exemption to these limits as defined in the Annexes of Directive 2011/65/EU (RoHS2). Finished electrical and electronic equipment products will be CE marked as required by Directive 2011/65/EU. Components may not be CE marked. Additionally, the part numbers that TE has identified as EU ELV compliant have a maximum concentration of 0.1% by weight in homogenous materials for lead, hexavalent chromium, and mercury, and 0.01% for cadmium, or qualify for an exemption to these limits as defined in the Annexes of Directive 2000/53/EC (ELV). Regarding the REACH Regulation, the information TE provides on SVHC in articles for this part number is based on the latest European Chemicals Agency (ECHA) 'Guidance on requirements for substances in articles' posted at this URL: <https://echa.europa.eu/guidance-documents/guidance-on-reach>

## Compatible Parts



TE Part # 2273047-2  
M12 x 1.0 straight socket pigtail shld A



TE Part # T4161320005-004  
RPC-M12-FS-5CON-PUR-3.0SH

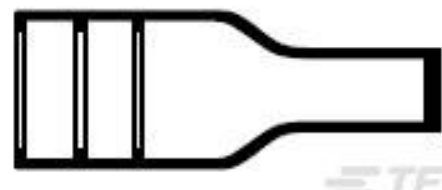
## Customers Also Bought



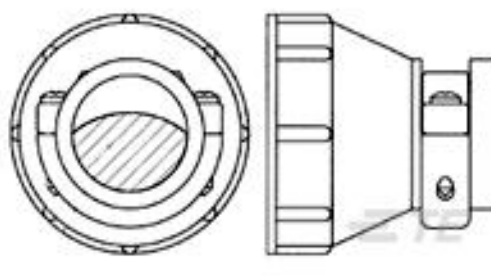
TE Part #206151-1  
CPC SERIES 1



TE Part #182645-1  
13-9 CPC PLUG



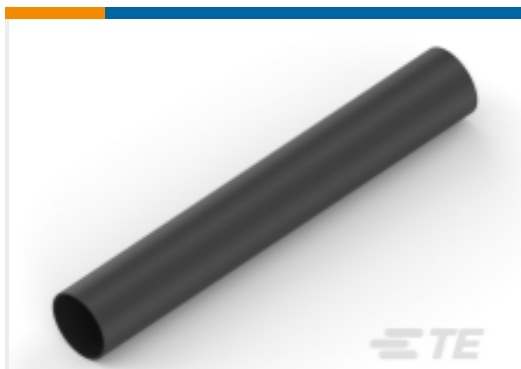
TE Part #808194-000  
202D121-4/42-0



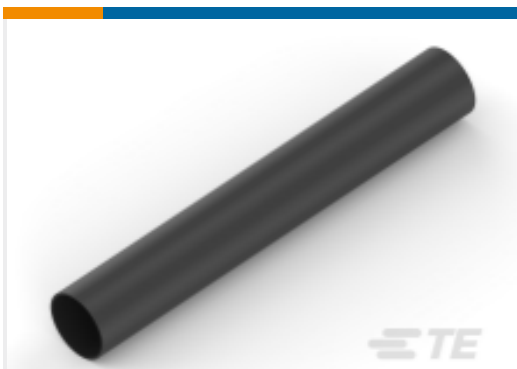
TE Part #182652-1  
23 SIZE CPC STD CLAMP



TE Part #1991253-9  
9 WAY LOW COST D SUB BACKSHELL



TE Part #NB10802001  
ATUM-32/8-0-STK



TE Part #NB11382001  
ATUM-52/13-0-STK



TE Part #EL88852001  
VERSAFIT-1/8-0-STK



TE Part #808381N003  
202D132-4/42-0

## Documents

### Product Drawings

[RPC-M12-MS-5CON-PUR-3.0SH](#)

English

### CAD Files

[3D PDF](#)

3D

Customer View Model

[ENG\\_CVM\\_CVM\\_T4161120005-004\\_A.2d\\_dxf.zip](#)

English

Customer View Model

[ENG\\_CVM\\_CVM\\_T4161120005-004\\_A.3d\\_igs.zip](#)

English

Customer View Model

[ENG\\_CVM\\_CVM\\_T4161120005-004\\_A.3d\\_stp.zip](#)

English

By downloading the CAD file I accept and agree to the [Terms and Conditions](#) of use.

### Datasheets & Catalog Pages

[M8 / M12 Connector System Catalog](#)

English

### Product Specifications

[Application Specification](#)

English