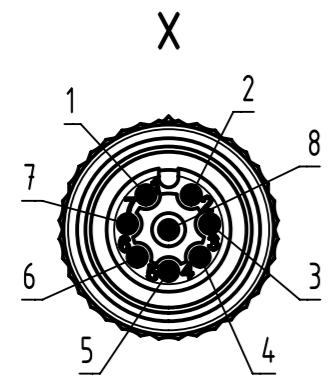
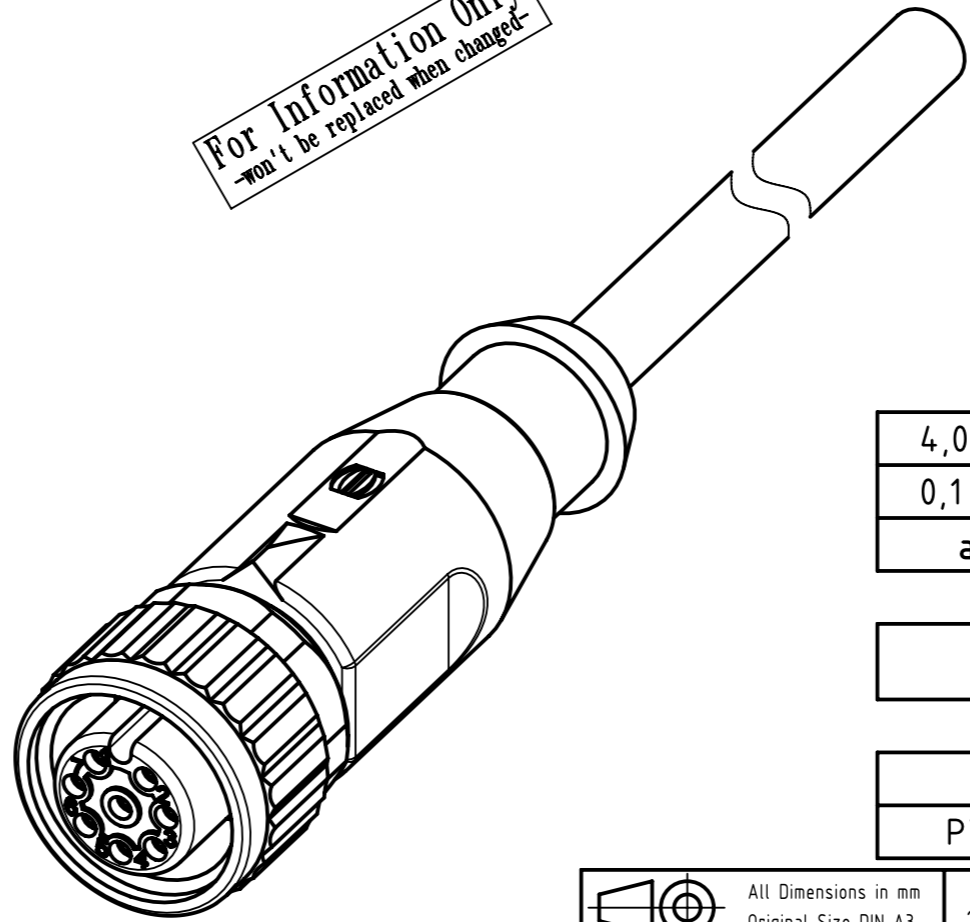


Loading-Plan:



- 1 white
- 2 brown
- 3 green
- 4 yellow
- 5 grey
- 6 pink
- 7 blue
- 8 red

*For Information Only  
-won't be replaced when changed-*



- Protection level: IP67  
- Temperature range: -25°C ... +80°C

length in "1m" step	40	XXX=400
	39	XXX=390
	...	...
	12	XXX=120
	11	XXX=110
length in "0,1m" step	10	XXX=100
	9,9	XXX=099
	9,8	XXX=098
	...	...
	0,4	XXX=004
	0,3	XXX=003
	0,2	XXX=002
0,1	XXX=001	
Step	a [m]	XXX

4,0 to 40	+1%
0,1 to 3,9	+0,04
a [m]	Tolerance

Part no. 213485008XXXXX

Type of cable XX  
PVC grey, 8x0,25mm<sup>2</sup> XX=82

	All rights reserved	Created by TAMAS	Inspected by	Standardisation	Date 2014-05-26	State Checked Out	
	Department EC PD - RO	Title M12 A-coded Cable Assembly				Doc-Key / ECM-Nr. 100578933/UGD/009/A	
HARTING Electronics GmbH D-32339 Espelkamp		Type TB	Number 213485008XXXXX			Rev. A	Page 1/1