

## 309BM.40 | 309BM - MAGNETIC LEVELS

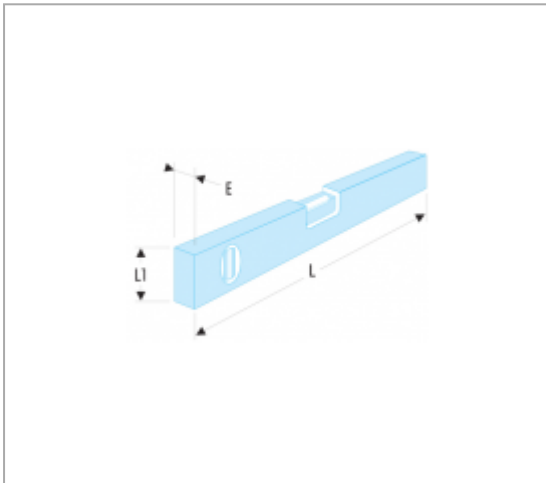


### Norm :


DIN 877

### Description :

- In reverse position, accuracy 1 mm/m.
- Light alloy body, drawn.
- Smooth anodized surfaces (easy cleaning).
- Vertical vial and horizontal vial.



### Informations :

	309BM.40
E [mm]	21
L [mm]	400
L1 [mm]	50
[g]	300